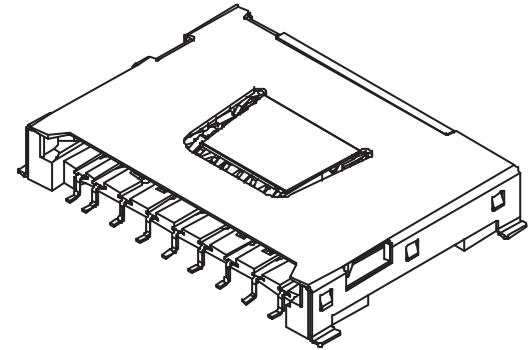


REV	MODIFICATION	DATE	DRAW
B	EN-05-0521	94-05-20	Gary
C	EN-05-0803	94-08-03	Gary
D	EN-05-1207	94-12-13	Gary

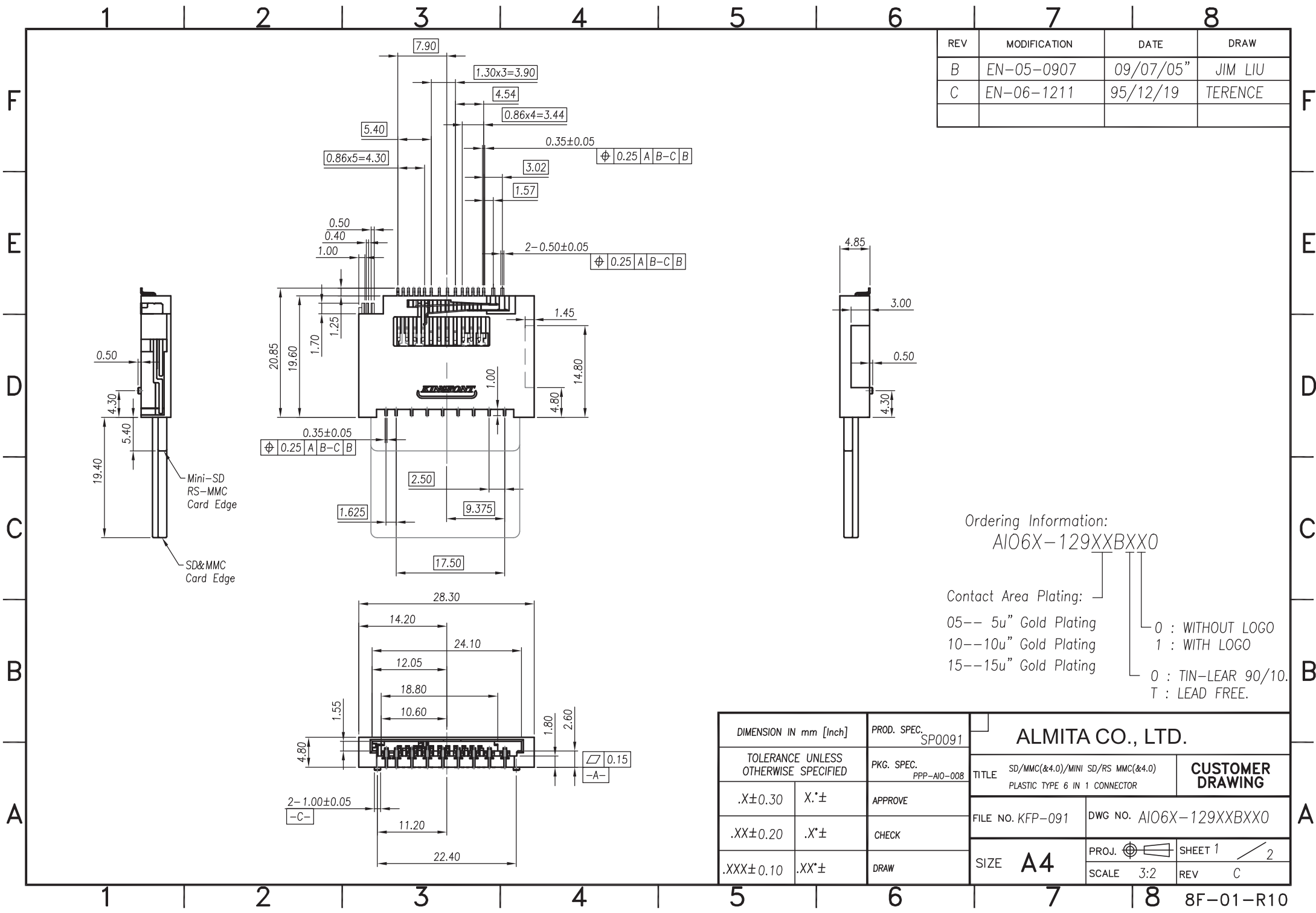


Ordering Information:
A106X-124XXBT00

Contact Area Plating:
05-- 5u" Gold Plating
10-- 10u" Gold Plating
15-- 15u" Gold Plating

T : LEAD FREE.

DIMENSION IN mm [Inch]		PROD. SPEC. SP0083	ALMITA CO., LTD.	
TOLERANCE UNLESS OTHERWISE SPECIFIED		PKG. SPEC. PPP-A10-004	TITLE SD/MMC(&4.0)/MINI SD RS MMC(&4.0) 6 IN 1 CONN.	CUSTOMER DRAWING
.X±0.30	X'±	APPROVE	FILE NO. KFP-083	DWG NO. A106X-124XXBT00
.XX±0.20	.X'±	CHECK	SIZE A4	PROJ. SHEET 1 / 2
.XXX±0.10	.XX'±	DRAW	SCALE 2:1	REV D



REV	MODIFICATION	DATE	DRAW
B	EN-05-0907	09/07/05"	JIM LIU
C	EN-06-1211	95/12/19	TERENCE

Ordering Information:
 AI06X-129XXBXX0

Contact Area Plating:

- 05-- 5u" Gold Plating
- 10-- 10u" Gold Plating
- 15-- 15u" Gold Plating

0 : WITHOUT LOGO
 1 : WITH LOGO
 0 : TIN-LEAR 90/10.
 T : LEAD FREE.

DIMENSION IN mm [Inch]		PROD. SPEC. SP0091	ALMITA CO., LTD.	
TOLERANCE UNLESS OTHERWISE SPECIFIED		PKG. SPEC. PPP-AI0-008	TITLE SD/MMC(&4.0)/MINI SD/RS MMC(&4.0) PLASTIC TYPE 6 IN 1 CONNECTOR	CUSTOMER DRAWING
.X±0.30	X.*±	APPROVE	FILE NO. KFP-091	DWG NO. AI06X-129XXBXX0
.XX±0.20	.X.*±	CHECK	SIZE A4	PROJ. SHEET 1 / 2
.XXX±0.10	.XX.*±	DRAW	SCALE 3:2	REV C