

1 2 3 4 5 6 7 8

F

E

D

C

B

A

F

E

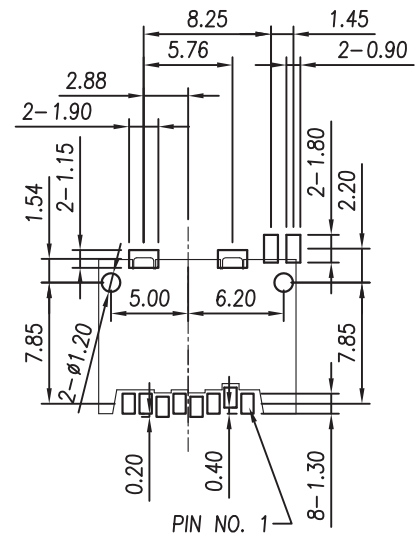
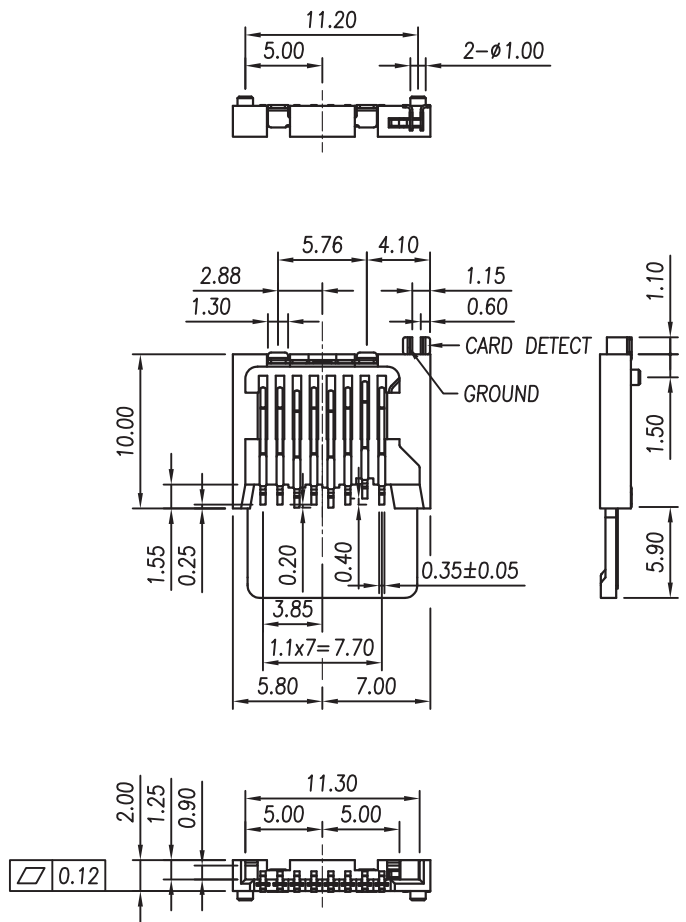
D

C

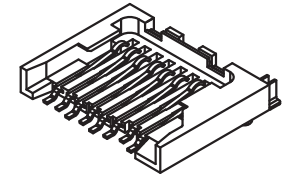
B

A

REV	MODIFICATION	DATE	DRAW



P.C.B Layout (Top View)



NOTES:

- 1.Material:
Housing:Thermoplastic UL94V-0
Color:Black
Contact:Phosphor Bronze.
Tin 100u" at Solder Tail,See
"Ordering Information" for Contact
Area Plating

Ordering Information:
TFAMF-111XXBTOX
PACKAGE TYPE :
0 : TRAY
1 : TAPE REEL
Contact Area Plating:
Comply to RoHS

DIMENSION IN mm [Inch]		PROD. SPEC.	ALMITA CO., LTD.	
TOLERANCE UNLESS OTHERWISE SPECIFIED		SP-0102	Micro SD Card Connector	
		PKG. SPEC.	Manual Type	CUSTOMER DRAWING
		PPP-TFA-001		
PIN	NAME	APPROVE	FILE NO. KFP-102	DWG NO. TFAMF-111XXBXXX
1	DAT2	CHECK	SIZE A4	PROJ. SHEET 1 / 1
2	CD/DAT3	DRAW	SCALE 2:1	REV A
3	CMD			
4	VDD			
5	CLK			
6	VSS2			
7	DAT0			
8	DAT1			

1 2 3 4 5 6 7 8 8F-01-R02