

1 2 3 4 5 6 7 8

REV	MODIFICATION	DATE	DRAW

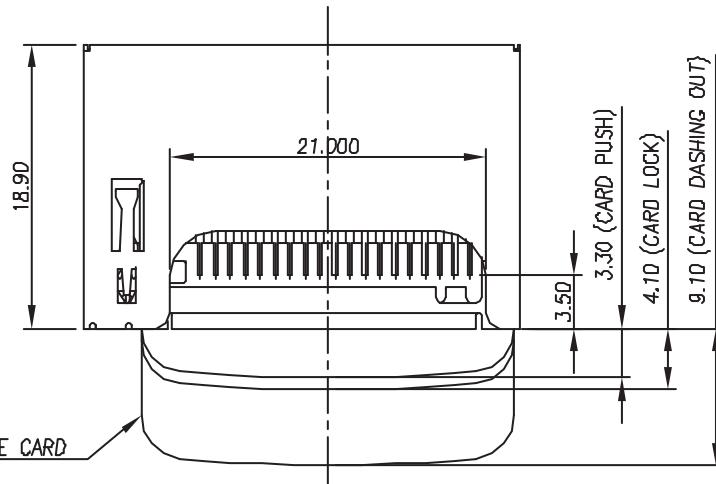
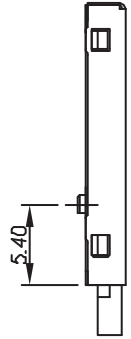
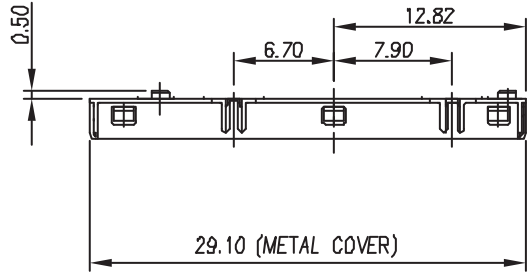
Ordering Information:

XDBMB-019XXXXX0

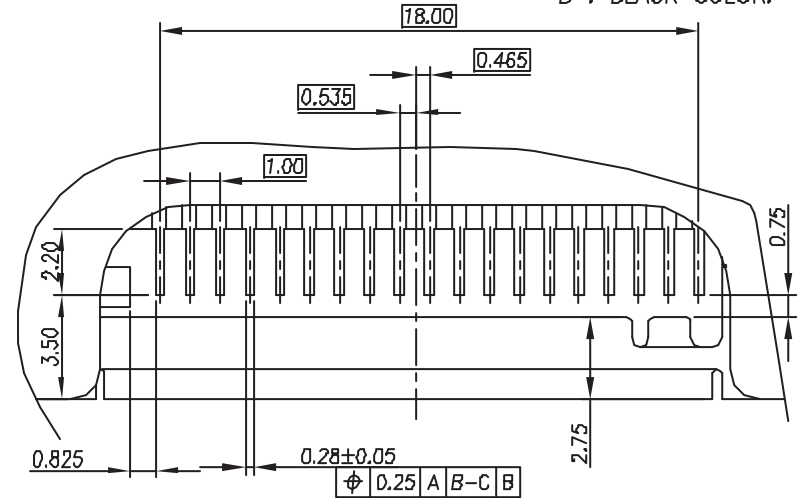
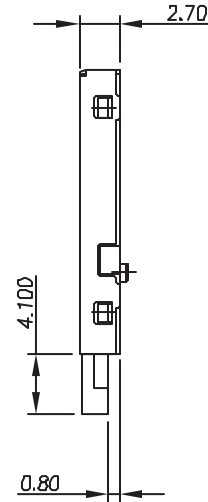
Contact Area Plating:

- 05-- 5m² Gold Plating
- 10-- 10m² Gold Plating
- 15-- 15m² Gold Plating

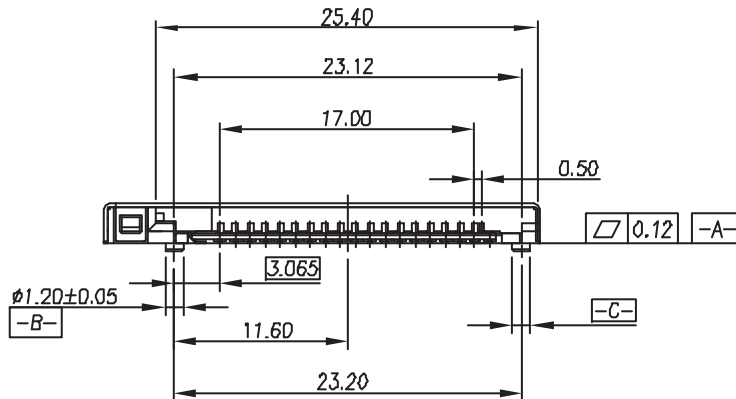
- PACKAGE
- 0: TRAY.
- 1: TAPE REEL
- 0: TIN-LEAD 90/10.
- T: LEAD FREE.
- A: NATURAL COLOR
- B: BLACK COLOR.



XD-PICTURE CARD



SOLID TAIL DETAIL
SCALE 2:1



DIMENSION IN mm [Inch] TOLERANCE UNLESS OTHERWISE SPECIFIED .X±0.30 X'± .XX±0.20 .X'± .XXX±0.10 .XX'±	PROD. SPEC. SP0089	ALMITA CO., LTD.	
	PKG. SPEC. PPP-YDA-003	TITLE XD-PICTURE MEMORY CARD PUSH-PUSH CONNECTOR TYPE B	CUSTOMER DRAWING
	APPROVE	FILE NO. KFP-089	DWG NO. XDBMB-019XXXXX0
	CHECK	SIZE A4	PROJ. SHEET 1 / 2 SCALE 2:1 REV A
DRAW	DRAW	8F-01-R10	

F
E
D
C
B
A

F
E
D
C
B
A

1 2 3 4 5 6 7 8 8F-01-R10