

4

3

2

1

PART NO. SEE TABLE2

CUSTOMER DRAWING

REVISIONS			
LTR	DESCRIPTION	Drawing	DATE
E	ADD THE PART TYPE Δ	JIANG	03/16'06
F	MODIFY THE TOLERANCES	JIANG	07/29'06

D

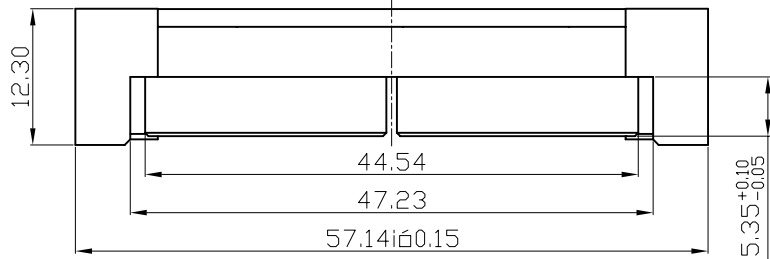
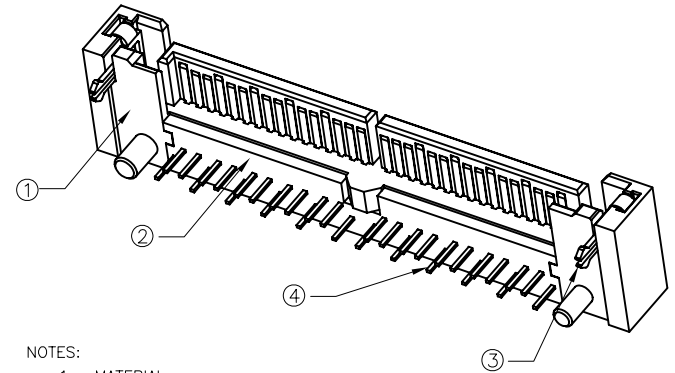
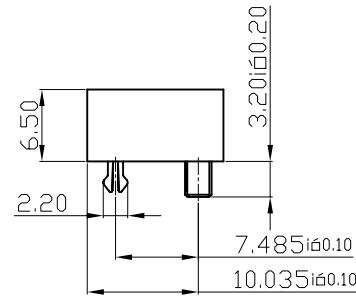
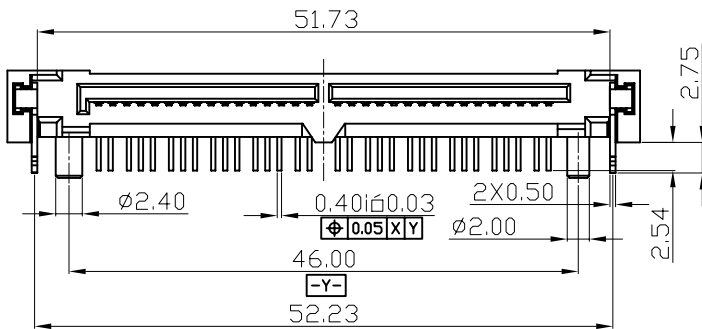


TABLE2

020-01-00066	15u"	PART Δ
020-01-00067	GOLD FLASH	
020-01-00069	15u"	
020-01-00070	GOLD FLASH	LCP
ASSEMBLY PART NO.	Au PLATING	MATERIAL



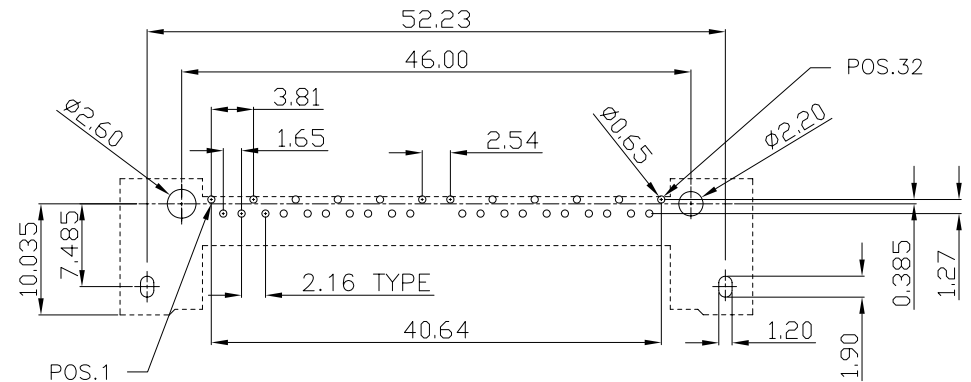
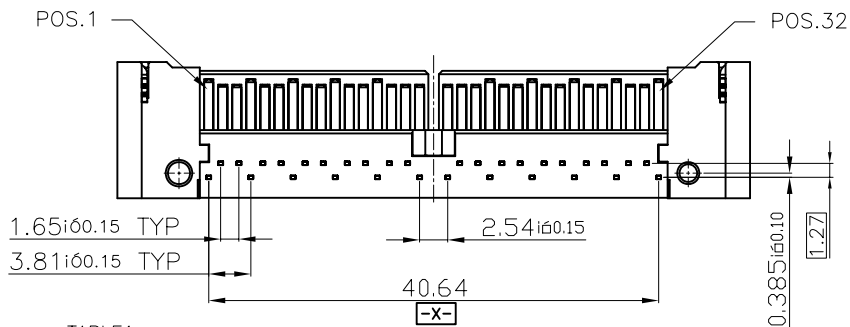
C



NOTES:

- MATERIAL:
HOUSING: THERMOPLASTIC UL94V-0, COLOR: BLACK.
CONTACT: COPPER ALLOY.
BOARD LOCK: COPPER ALLOY.
- FINISH:
CONTACT: GOLD PLATING ON CONTACT AREAS(SEE TABLE);
TIN PLATED ON SOLDER TAILS;
NICKEL UNDERPLATE OVER ALL.
BOARD LOCK: TIN PLATED ON SOLDER TAILS;
NICKEL UNDERPLATE OVER ALL.
- PRODUCT SPECIFICATION REFERENCE TO *****.
- PACKAGING SPECIFICATION REFERENCE TO *****.

B



RECOMMENDED PCB LAYOUT
(ALL TOLERANCE ARE ±0.05mm)

TABLE1

ITEM	DESCRIPTION	Q'TY	MATERIAL	FINISH
4	CONTACT	32	COPPER ALLOY T=0.30	NI UNDERPLATING AND TIN PLATED ON SOLDER AREA, GOLD PLATING ON CONTACT AREA.
3	BOARD LOCK	2	COPPER ALLOY	NI UNDERPLATING AND TIN PLATED ON SOLDER AREA.
2	BACK WALL	1	THERMAL PLASTIC UL94V-0	COLOR: BLACK
1	BASE	1	THERMAL PLASTIC UL94V-0	COLOR: BLACK

DIMENSION ARE
MILLIMETERS
TOLERANCES ARE :
DECIMALS
.X ± 0.30
.XX ± 0.25
.XXX ± 0.10
ANGLE:
X ± 1°

APPROVALS		DATE
DRAWN	JIANG	07/29'06
CHECKED		
APPROVALS		

PART NO. 020-01-00066/00067 020-01-00069/00070			
TITLE: SAS 32P(MALE) R/A DIP TYPE CUSTOMER DRAWING			
SIZE	SCALE :	DRAWING NO.	REV.
mm	1 : 1	000134	F
ID NO.	XXXXXXXXXX	SHEET 1 OF 1	

A

DESCRIPTION

Q'TY UNIT DO NOT SCALE DRAWING

4

3

2

1