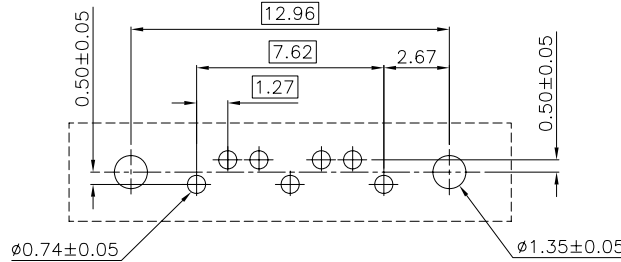
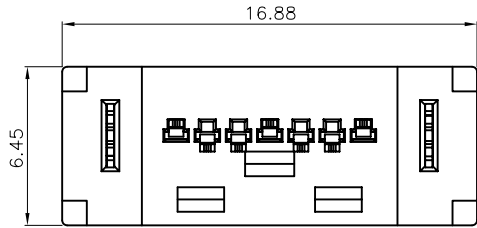


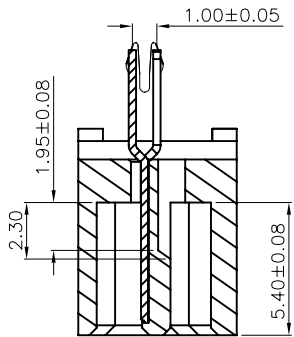
# CUSTOMER DRAWING

PART NO. SEE TABLE

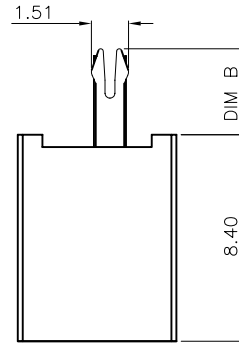
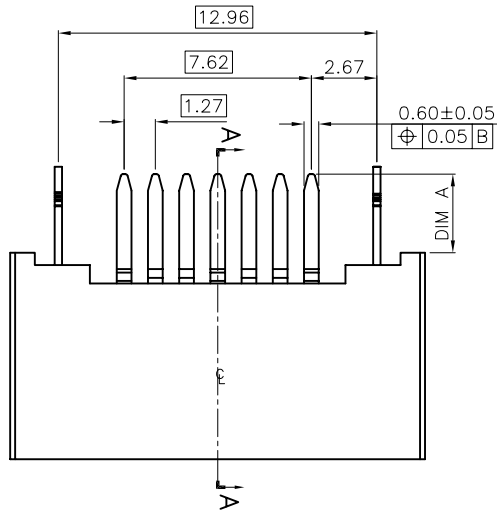
REVISIONS			
LTR	DESCRIPTION	Drawing	DATE
A	ease for Manufacture Initial Rel	WITTY	10/19/06
B	ADD THE NEW TYPE LATCH=2.50	WITTY	12/13/06
C	新增PA46, 藍色規格;變更尺寸公差	WITTY	01/15/08
D	新增規格: 端子&魚叉L=2.70	WITTY	03/07/08



RECOMMEND PCB LAYOUT



SECTION A-A  
SCALE 1 : 1

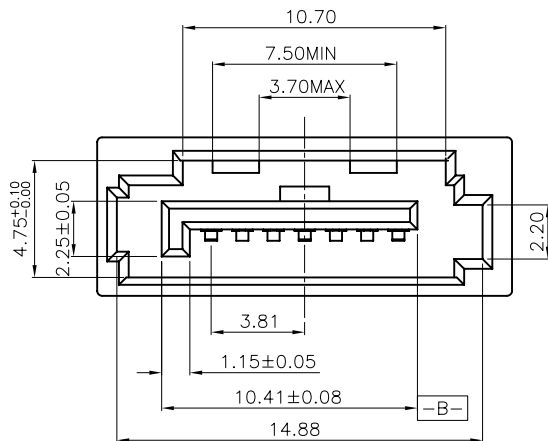


TABLE

007-01-00557	15U"	L=2.45±0.25	L=2.50mm	PA46 BLUE	RoHS
007-01-00318	15U"	L=2.45±0.25	L=2.50mm	LCP BK	GP
007-01-00317	G/F	L=2.45±0.25	L=2.50mm		
007-01-00259	15U"	L=3.20mm	L=3.50mm	LCP BK	GP
007-01-00258	G/F	L=3.20mm	L=3.50mm		
007-01-00605	15U"	L=2.70mm	L=2.70mm	LCP BK	GP
007-01-00604	30U"				
PART NO	PLATING	DIM A	DIM B	MATERIAL	NOTE

NOTES:

- MATERIAL:  
HOUSING: HIGH TEMPERATURE THERMOPLASTIC, UL94 V-0,  
COLOR: GRAY  
CONTACT: COPPER ALLOY T=0.30±0.01mm  
LATCH: COPPER ALLOY T=0.30±0.01mm
- PLATING:  
LATCH: SOLDER TAIL 100u" MIN MISTY TIN OVER  
75u" MIN NICKEL UNDERPLATE  
CONTACT: 150u" MIN MISTY TIN PLATING ON SOLDER TAILS 75u" MIN NICKEL UNDERPLATING OVER ALL GOLD SPECIFICATION:  
a, G/F; b, 15u";
- ELECTRONICAL SPECIFICATION:  
CURRENT RATING: 1.5 AMPERE PER CONTACT  
CONTACT RESISTANCE: 30 MILLIOHMS MAX.  
INSULATION RESISTANCE: 1000 MEGOHMS MIN.  
DIELECTRIC WITHSTANDING VOLTAGE: 500 VAC.  
OPERATING TEMPERATURE: -20°C ~ +85°C



DIMENSION ARE MILLIMETERS TOLERANCES ARE : DECIMALS .X ± 0.20 .XX ± 0.15 ANGLE: X ± 1°	APPROVALS		DATE	TITLE: SATA 7P PLUG 180° B型 魚叉式全包無錯位	SIZE mm	SCALE : 1: 1	DRAWING NO. 000384	REV. D
	DRAWN	WITTY	03/07/08					
	CHECKED							
	APPROVALS							
THE DRAFT AND DESIGN DIS-CLOSED WAS ORIGINATED BY AND IS THE PROPERTY OF Sonetek Technology Corporation, Sonetek Technology Corporation RESERVES ALL PROPRIETARY, DESIGN, MANUFACTURING, REPRODUCTION, USE AND SALES RIGHTS.				ID NO.	XXXXXXXXXX	SHEET 1 OF 1		

DESCRIPTION

NO. QTY. UNIT DO NOT SCALE DRAWING