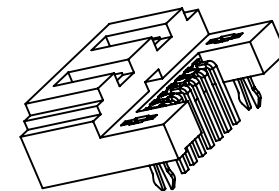
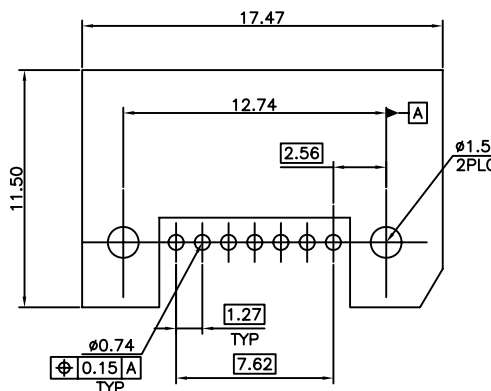
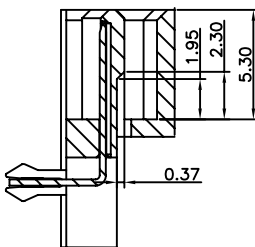
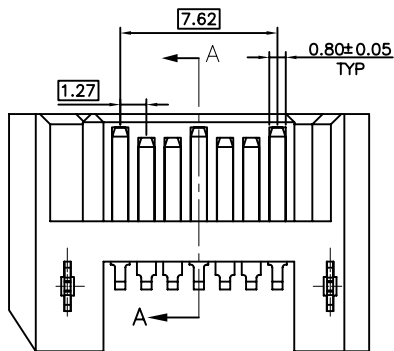
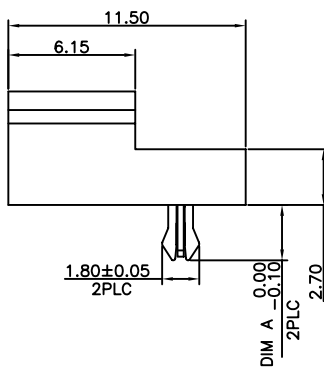
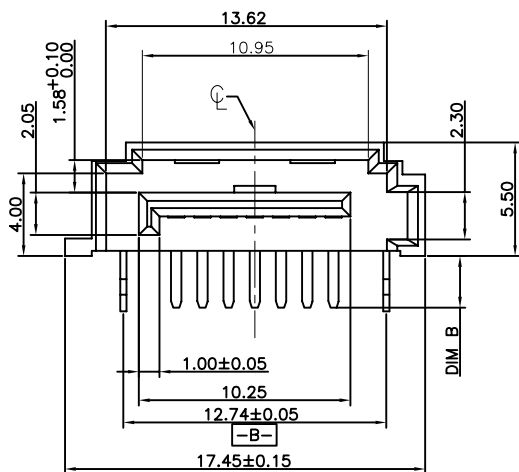
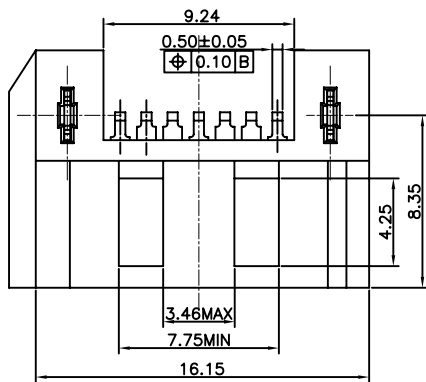


CUSTOMER DRAWING

TABLE

PART NO	PLATING	MATERIAL&COLOR	DIM A	DIM B
007-01-00430	15U"	PA9T BLACK	3.20	3.20
007-01-00429	G/F	PA9T BLACK		
007-01-00394	15U"	PA46 BLACK	2.68	2.50
007-01-00393	G/F	PA46 BLACK		
007-01-00340	15U"	LCP BLACK		
007-01-00339	G/F	LCP BLACK		

REVISIONS			
LTR	DESCRIPTION	Drawing	DATE
A	ease for ManufactureInitial Rel	BILL	01/25/07
B	ADDITION THE PA46 PART NO.	BILL	03/30/07
C	ADDITION THE PA9T PART NO.	BILL	06/05/07



RECOMMEND PCB LAYOUT
PCB TOLERANCE:±0.05

NOTES:

- MATERIAL:
HOUSING: HIGH TEMPERATURE THERMOPLASTIC UL94V-0 COLOR:BLACK.
CONTACT: COPPER ALLOY.
BOARD LOCK: COPPER ALLOY.
- FINISH:
CONTACT: GOLD PLATING ON CONTACT AREAS;
TIN PLATED ON SOLDER TAILS;
NICKEL UNDERPLATE OVER ALL.
BOARD LOCK: TIN PLATED ON SOLDER TAILS;
NICKEL UNDERPLATE OVER ALL.
- PRODUCT SPECIFICATION REFERENCE TO *****.
- PACKAGING SPECIFICATION REFERENCE TO *****.

DIMENSION ARE MILLIMETERS TOLERANCES ARE : DECIMALS .X ± 0.30 .XX ± 0.25 ANGLE: X ± 1°	APPROVALS		DATE	PART NO. 007-01-00339/00340 007-01-00393/00394 007-01-00429/00430
	DRAWN	BILL	06/05/07	
	CHECKED			TITLE: SATA 7P 公頭 三面包 DIP型 魚叉 1.80mm(新版)
	APPROVALS			SIZE SCALE : mm 1 : 1 DRAWING NO. 000435 REV. C
				ID NO. XXXXXXXXXX SHEET 1 OF 1

DESCRIPTION

NO

QTY UNIT DO NOT SCALE DRAWING