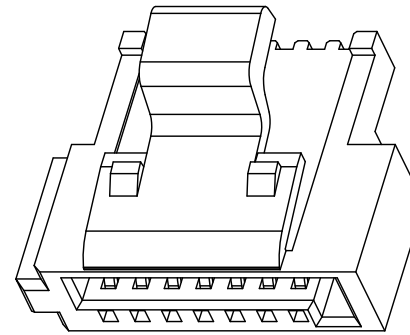
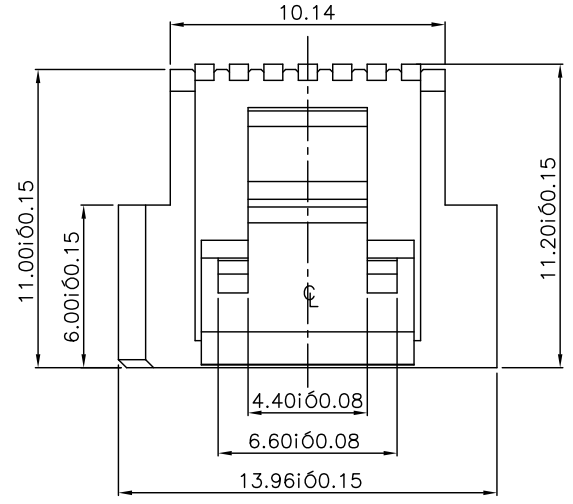


# CUSTOMER DRAWING

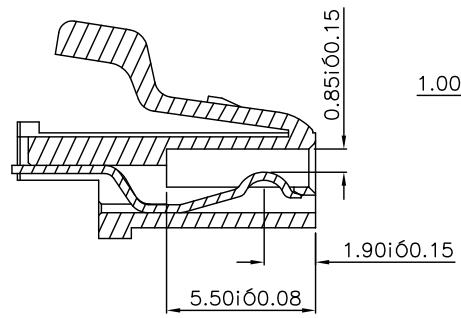
PART NO. SEE TABLE

REVISIONS			
LTR	DESCRIPTION	Drawing	DATE
A	initial Release for Manufacture	WITTY	02/28/08

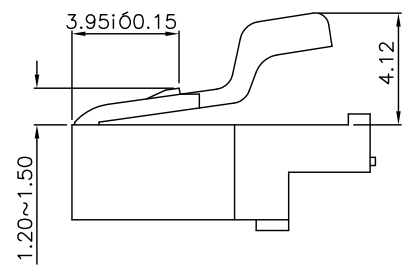
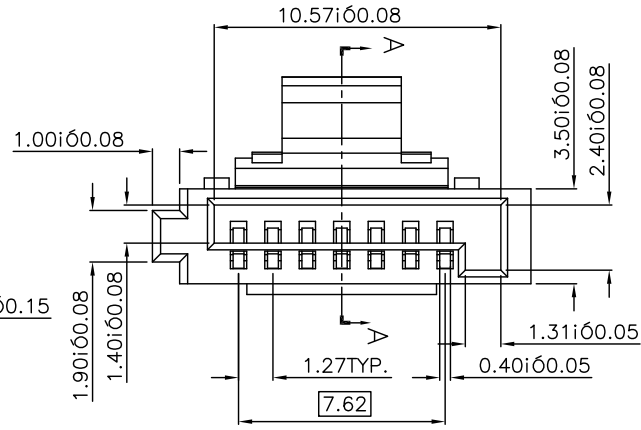


TABLE

007-01-00533	30u"	GP
007-01-00532	15u"	
007-01-00531	G/F	
PART NO.	PLATED	NOTE

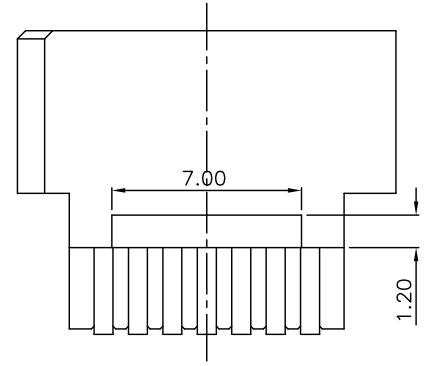


SECTION A-A  
SCALE 1 : 1



NOTES:

- 1.MATERIAL:  
HOUSING: HIGH TEMPERATURE THERMOPLASTIC, UL94V-0,BLACK  
CONTACT: PHOSPHOR BRONZE T=0.30±0.01mm
- 2.PLATING:  
CONTACT:GOLD OVER 75u" MIN NICKEL  
UNDERPLATE,SOLDERTAIL150u"MIN TIN OVER 75u" MIN NICKEL UNDERPLATE  
GOLD SPECIFICATION:  
a, F/G; b, 15U"; c, 30U"
- 3.ELECTRONICAL SPECIFICATION:  
CURRENT RATING:1.5 AMPERE PER CONTACT  
CONTACT RESISTANCE:30 MILLIOHMS MAX.  
INSULATION RESISTANCE:1000 MEGOHMS MIN.  
DIELECTRIC WITHSTANDING VOLTAGE:500 VAC.  
OPERATING TEMPERATURE:-20°C~+85°C
- 4.THE PRODUCT SHOULD BE GP COMPLIANCE



DIMENSION ARE MILLIMETERS TOLERANCES ARE : DECIMALS .X ± 0.20 .XX ± 0.15 ANGLE: X ± 1°	APPROVALS		DATE	TITLE: SATA 7P SOCKET SOLDER 全塑性彈片	
	DRAWN	WITTY	02/28/08		
	CHECKED				
	APPROVALS				
		SIZE	SCALE :	DRAWING NO.	REV.
		mm	1 : 1	000561	A
ID NO. XXXXXXXXXX		SHEET		1 OF 1	

DESCRIPTION

NO. \_\_\_\_\_