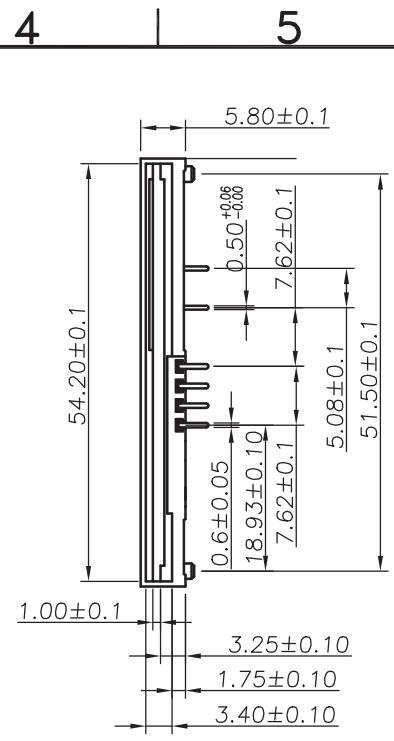


UNIT:mm:TOLERANCES:±0.15mm  
REFERENCE DIMENSION FOR PCB LAYOUT



UNIT:mm:TOLERANCES:±0.15mm  
MECHANICAL OUTLINE DIMENSION

REV	MODIFICATION	DATE	DRAW
B	EN-06-1011	95/10/16	TERENCE

- GENERAL CHARACTERISTICS.  
DIMENSIONS: 55.50L \* 40.00W \* 5.80H mm.  
WEIGHT: APPROX. 12.5g  
CONTACT PRINCIPLE: LANDING TECHNOLOGY.  
OPERATING POSITION: SHAFT UP / DOWN / HORIZONTAL.  
MOUNTING SYSTEM: THRU-HOLE WITH SNAP-IN-LOCK  
DURABILITY:300,000 CYCLES MIN.
  - MECHANICAL CHARACTERISTICS  
INSULATION MATERIAL:THERMOPLASTIC,UL94V-0
  - ELECTRICAL CHARACTERISTICS.  
NUMBER OF CONTACT : 8 PINS  
CONTACT RESISTANCE: 50mΩ TYPICAL, 100mΩ MAX.  
INSULTION RESISTANCE PIN TO PIN: > 1000MΩ / 500 VDC.  
SWITCH TYPE:BLADE  
OPERATION: NORMALLY OPEN.
  - SOLDERABILITY.  
WAVE:260°C,5SEC.MAX  
IR REFLOW:NOT APPLICABLE  
MANUAL : 360°C 3sec. MAX.
  - ENVIRONMENTAL CHARACTERISTICS.  
OPERATING TEMPERATURE: -40°C, ~ +85°C.  
OPERATING HUMIDITY: 10% -95% RH  
STORAGE TEMPERATURE: -40°C ~ +85°C.  
STORAGE HUMIDITY: 10% ~ 95% RH
- ORDER INFORMATION:  
SMCRB-20830B900-G

DIMENSION IN mm [Inch]		PRD. SPEC.	ALMITA CO., LTD.	
TOLERANCE UNLESS OTHERWISE SPECIFIED		PKG. SPEC.	TITLE Smart card connector	
.X±0.3	X.*±	APPROVE	CUSTOMER DRAWING	
.XX±0.20	.X.*±	CHECK	FILE NO.	DWG NO. SMCRB-20830B900-G
.XXX±0.100	.XX.*±	DRAW	SIZE A4	PROJ.  SHEET 1 / 1
			SCALE 1:1	REV B