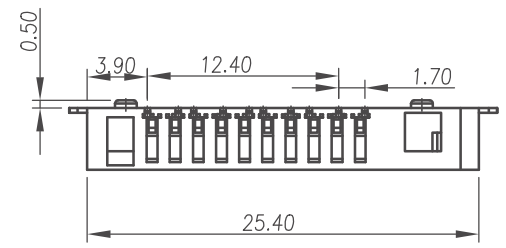


1 2 3 4 5 6 7 8

REV	MODIFICATION	DATE	DRAW

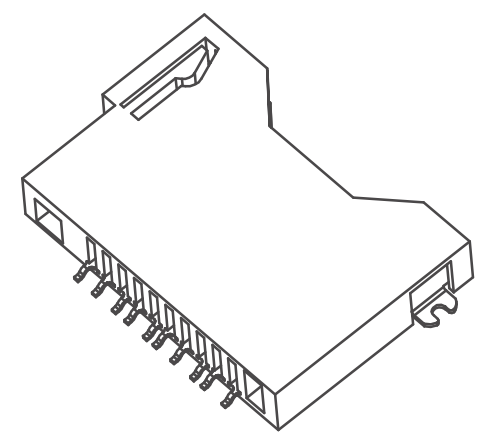
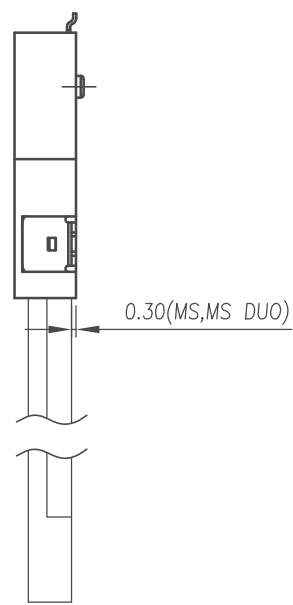
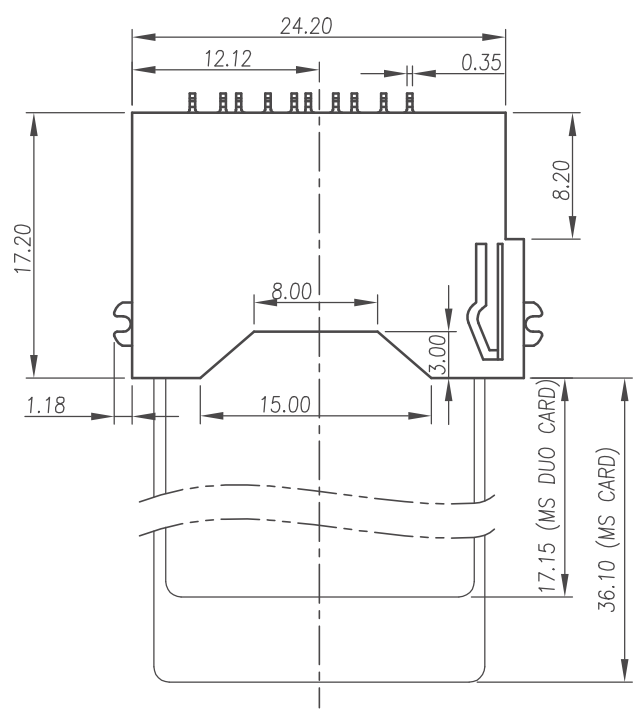
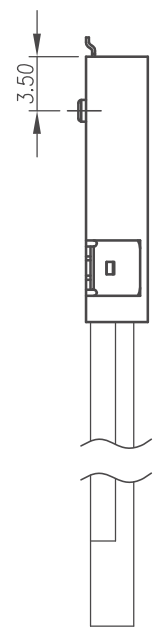
F



Ordering Information:
AIO2X-210XXBTOX

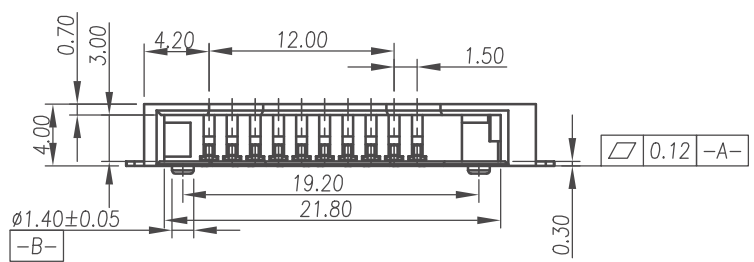
Contact Area Plating: LOGO.
0: WITHOUT LOGO
1: WITH LOGO
05-- 5μ" Gold Plating
10-- 10μ" Gold Plating
15-- 15μ" Gold Plating

E



C

B



DIMENSION IN mm [Inch]		PROD. SPEC. SP0094	ALMITA CO., LTD.	
TOLERANCE UNLESS OTHERWISE SPECIFIED		PKG. SPEC. PPP-AIO-010	TITLE 2 IN 1 CONNECTOR RESVERSE TYPE(MS,MSDUO)	CUSTOMER DRAWING
.X±0.30	X.*±	APPROVE	FILE NO. KFP-094	DWG NO. AIO2X-210XXBTOX
.XX±0.20	.X.*±	CHECK	SIZE A4	PROJ. SHEET 1 / 2
.XXX±0.10	.XX.*±	DRAW	SCALE 2:1	REV A

A

1 2 3 4 5 6 7 8

