

1 2 3 4 5 6 7 8

F

E

D

C

B

A

REV	MODIFICATION	DATE	DRAW

F

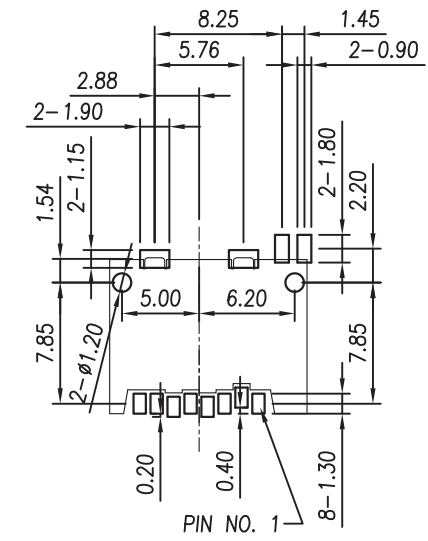
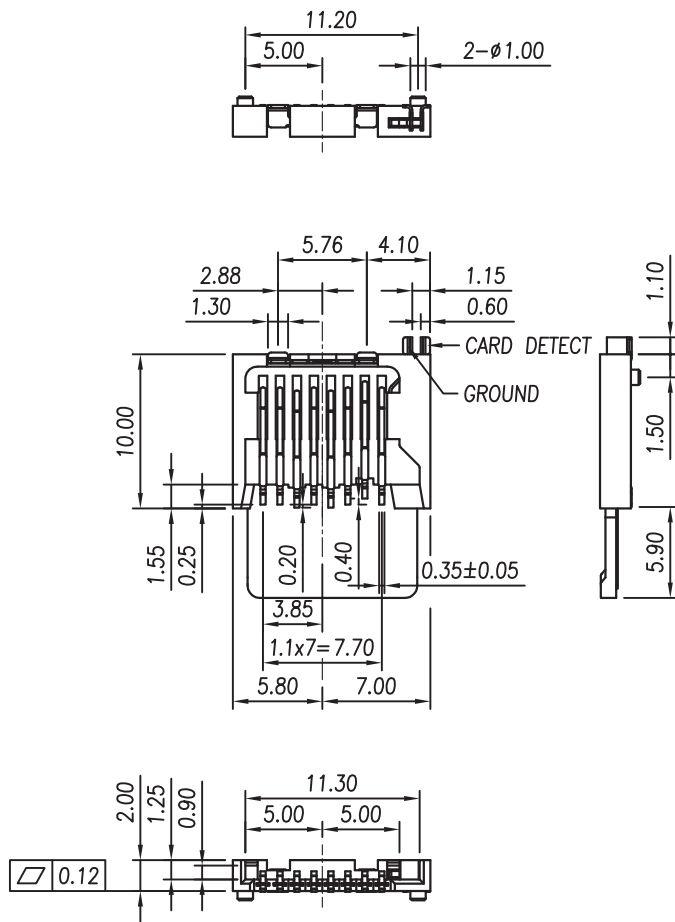
E

D

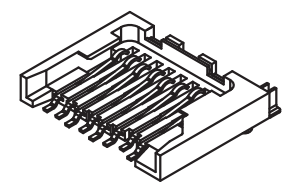
C

B

A



P.C.B Layout ( Top View )



NOTES:

- 1. Material:
  - Housing: Thermoplastic UL94V-0
  - Color: Black
  - Contact: Phosphor Bronze.
  - Tin 100u" at Solder Tail, See "Ordering Information" for Contact Area Plating

Ordering Information:  
**TFAMF-111XXBTOX**

PACKAGE TYPE :  
 0 : TRAY  
 1 : TAPE REEL

Contact Area Plating: \_\_\_\_\_

Comply to RoHS

DIMENSION IN mm [Inch]		PROD. SPEC.	ALMITA CO., LTD.	
TOLERANCE UNLESS OTHERWISE SPECIFIED		SP-0102	Micro SD Card Connector	
		PKG. SPEC. PPP-TFA-001	Manual Type	
		APPROVE	CUSTOMER DRAWING	
		CHECK	FILE NO. KFP-102	DWG NO. TFAMF-111XXBXXX
		DRAW	SIZE <b>A4</b>	PROJ.  SHEET 1 / 1
			SCALE 2:1	REV A

Micro SD	
PIN	NAME
1	DAT2
2	CD/DAT3
3	CMD
4	VDD
5	CLK
6	VSS2
7	DAT0
8	DAT1

1 2 3 4 5 6 7 8 8F-01-R02