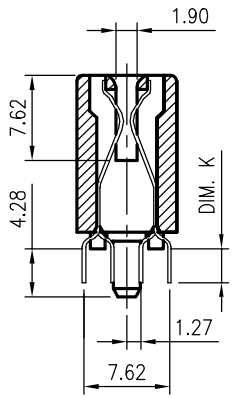
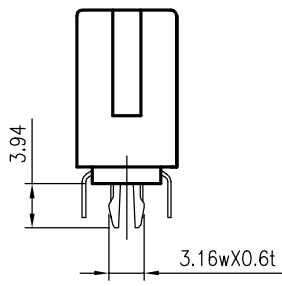


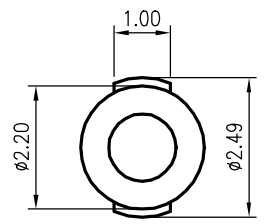
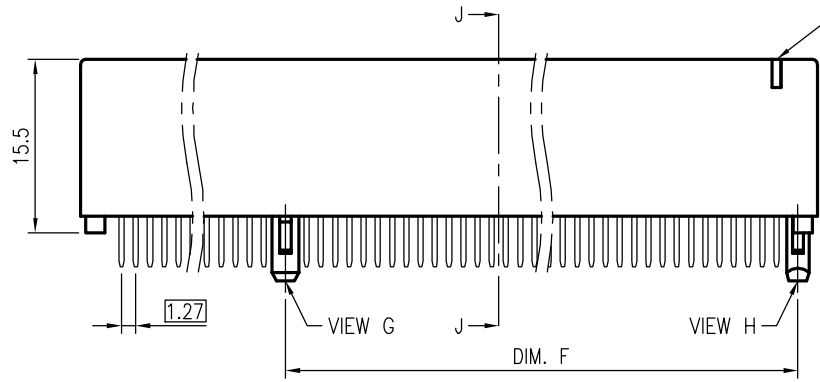
POS. #1 INDICATOR



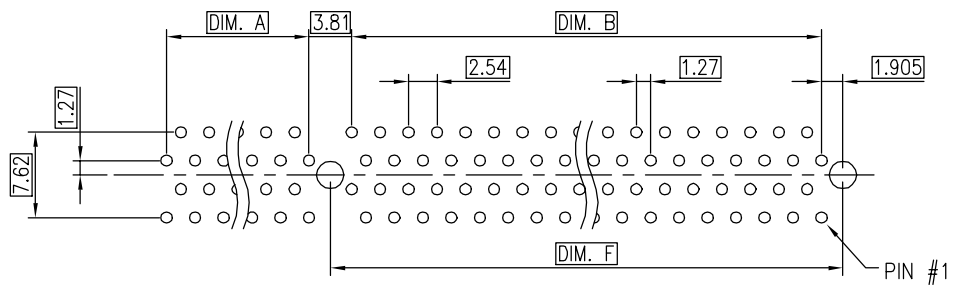
SECTION J-J
Post Type



Clip Type

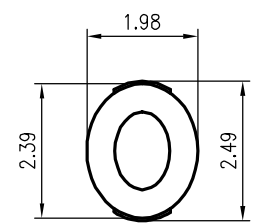


VIEW G SCALE 5 : 1



RECOMMENDED PCB LAYOUT (TOP VIEW)

Tolerance: ±0.05



VIEW H SCALE 5 : 1

| | | | | TOLERANCE | | | | TITLE: MCA Double Bays SLOT 1.27mm Pitch | | | | |
|-----|---------|--------|-------------|-----------|--------|-------|---------|---|-------|-------|--------|-----|
| | | | | LINEAR | ANGLES | | | PART NO. 1 | | | | |
| | | | | X±0.40 | X°± | | | DWG NO. 1 | | | | |
| 0 | --- | Schumi | May,24,2006 | .X±0.30 | .X°± | APPD: | Jason | MAT'L: | | | | |
| REV | ECN NO. | NAME | DATE | .XX±0.20 | .XX°± | CHKD: | Schumi | FINISH: | UNITS | SCALE | SHEET | REV |
| | | | | .XXX±0.10 | .XXX°± | DRWN: | Willson | Q'TY: | MM | 1 : 1 | 1 OF 2 | 0 |

CUSTOMER

MATERIAL

INSULATOR: GLASS-REINFORCED THERMOPLASTIC.
 CONTACT: COPPER ALLOY.
 PLATING: MATING AREA - SELECTED GLOD OVER NICKEL.
 SOLDER AREA - TIN OVER NICKEL.

ELECTRICAL

VOLTAGE RATING: 250 VAC RMS.
 CURRENT RATING: 1 AMP.
 DIELECTRICAL WITHSTANDING VOLTAGE: 500 VAC RMS 60 Hz FOR 1 MINUTE.
 INSULATION RESISTANCE: 1000 MEGOHMS MIN AT 500 VDC.
 CONTACT RESISTANCE: 30 MILLIOHMS MAX AT 1 AMP DC.

MECHANICAL

RETENTION FORCE: 460 GRAMS MIN PER CONTACT.
 INSERTION FORCE: 230 GRAMS MAX PER CONTACT PER.
 WITHDRAWAL FORCE: 15 GRAMS MIN PER CONTACT PER.

ENVIRONMENTAL

TEMPERATURE RANGE: -55°C TO +85°C.

PART NO.

Series No. _____ P B XXX X X 3 X X XX Q X
 P: PCI Series
 Bay No. _____
 B: Double Bays
 No. Of Pins _____
 Insulator _____
 N: NY 66
 N4: NY 46
 Contact _____
 B: Brass
 P: Phosphor Bronze
 Contact Thickness _____
 3: 0.3mm
 Tail Length (DIM. K) _____
 3: 3.00mm

Color
 C: Coffee
 Post Type
 C: Clip
 P: Post
 Q: Post With Rib
 Gold Plating
 01: 1u" Gold
 15: 15u" Gold
 Plating
 L: Lead Free, Bright
 M: Lead Free, Matte

| Pos. No. | Pos. No. | | DIM. A | DIM. B | DIM. C | DIM. D | DIM. E | DIM. F |
|----------|----------|----|--------|--------|--------|--------|--------|--------|
| | A | B | | | | | | |
| 46P | 22 | 24 | 12.70 | 13.97 | 14.99 | 16.26 | 37.85 | 17.78 |
| 60P | 22 | 38 | 12.70 | 22.86 | 14.99 | 25.15 | 46.74 | 26.67 |
| 80P | 22 | 58 | 12.70 | 35.56 | 14.99 | 37.85 | 59.44 | 39.37 |
| 90P | 22 | 68 | 12.70 | 41.91 | 14.99 | 44.20 | 65.79 | 45.72 |
| 112P | 22 | 90 | 12.70 | 55.88 | 14.99 | 58.17 | 79.76 | 59.69 |
| 120P | 22 | 98 | 12.70 | 60.96 | 14.99 | 63.25 | 84.84 | 64.77 |
| 160P | 76 | 84 | 46.99 | 52.07 | 49.28 | 59.44 | 110.24 | 55.88 |
| 164P | 84 | 80 | 52.07 | 49.53 | 54.36 | 51.82 | 112.78 | 53.34 |
| 182P | 84 | 98 | 52.07 | 60.96 | 54.36 | 63.25 | 124.21 | 64.77 |

| TOLERANCE | |
|-----------|--------|
| LINEAR | ANGLES |
| X.± | X°.± |
| .X± | .X°± |
| .XX± | .XX°± |
| .XXX± | .XXX°± |

| | | | |
|---|-------|--------|-----|
| TITLE: MCA Double Bays SLOT 1.27mm Pitch | | | |
| PART NO. | 1 | | |
| DWG NO. | 1 | | |
| UNITS | SCALE | SHEET | REV |
| MM | 1 : 1 | 2 OF 2 | 0 |

| | | | |
|-------------|---------|------|------|
| See Sheet 1 | | | |
| REV | ECN NO. | NAME | DATE |

| | |
|---------------|---------|
| APPD: Jason | MAT'L: |
| CHKD: Schumi | FINISH: |
| DRWN: Willson | Q'TY: |

