

4

3

2

1

PART NO. SEE TABLE 1

# CUSTOMER DRAWING

REVISIONS			
LTR	DESCRIPTION	Drawing	DATE
A	Initial Release for Manufacture	GARY	08/16/07
B	3.50改為3.60	GARY	09/05/07
C	修改塑膠壁厚	GARY	09/24/07

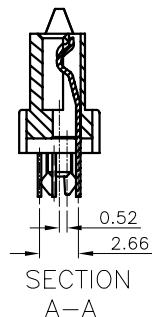
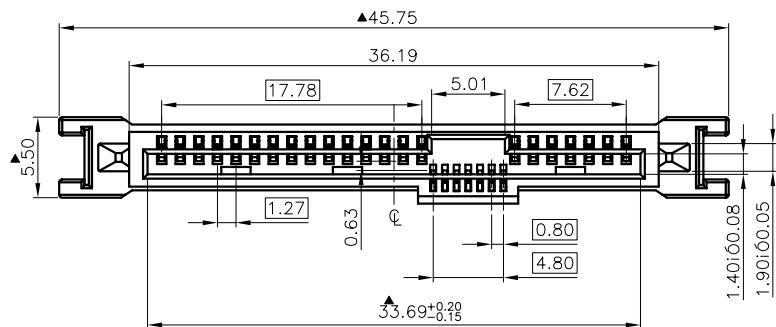


TABLE 1

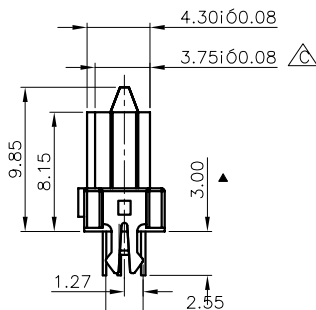
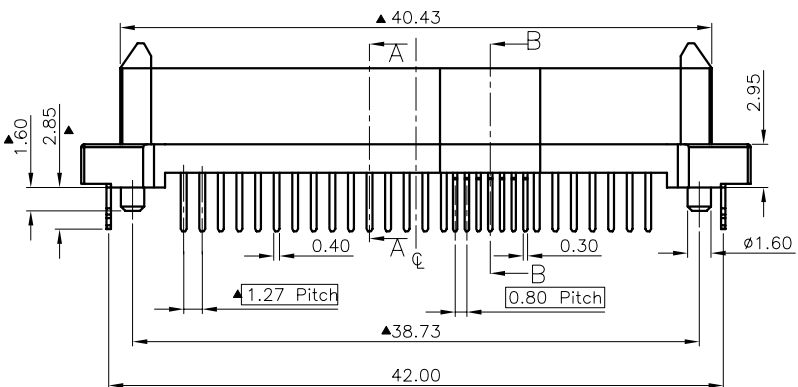
020-01-00312	15 U" GOLD	PA9T BLACK
020-01-00313	15 U" GOLD	LCP BLACK
PART NO.	PLATED	COLOR FOR THE PLASTIC

D

D

C

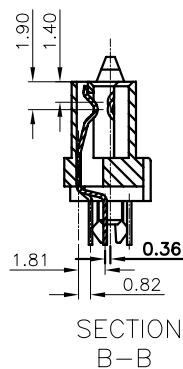
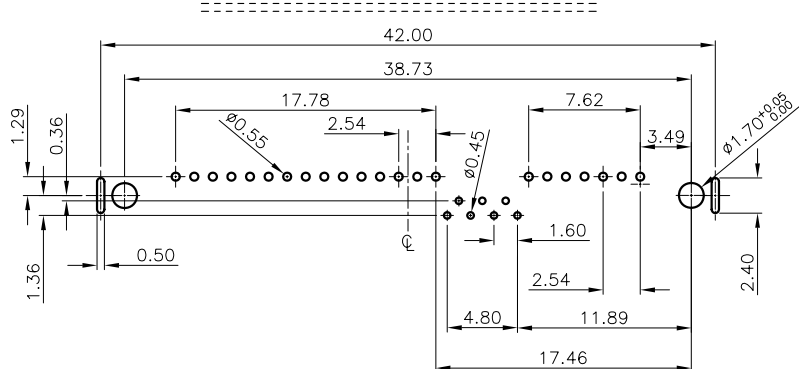
C



NOTE:

- MATERIAL :  
HOUSING : High Temperature Thermoplastic , UL94V-0, COLOR : BLACK  
TERMINAL(max): Copper Alloy, THICKNESS = 0.30 mm  
TERMINAL(min): Copper Alloy, THICKNESS = 0.25 mm  
FORKLOCK: Copper Alloy, THICKNESS = 0.30 mm
- PLATING:  
CONTACT: GOLD OVER 50u" MIN NICKEL UNDERPLATE  
SOLDER TAIL: 150u" MIN MISTY TIN 50u" MIN NICKEL UNDERPLATE  
GOLD SPECIFICATION: SEE TABLE
- ELECTRONICAL SPECIFICATION:  
CURRENT RATING: 1.5 AMPERE PER CONTACT  
CONTACT RESISTANCE: 30 MILLIOHMS MAX.  
INSULATION RESISTANCE: 1000 MEGOHMS MIN.  
DIELECTRIC WITHSTANDING VOLTAGE: 500 VAC.  
OPERATING TEMPERATURE: -20°C~+85°C
- MEETS THE REQUIREMENTS OF DIRECTIVE 2002/95/EC OF THE EUROPEAN PARLIAMENT AND OF THE COUNCIL OF 27 JANUARY 2003 ON THE RESTRICTION OF THE USE OF CERTAIN HAZARDOUS SUBSTANCES IN ELECTRICAL AND ELECTRONIC EQUIPMENT (ROHS)

RECOMMENDED PCB LAYOUT



DIMENSION ARE MILLIMETERS TOLERANCES ARE : DECIMALS .X ± 0.20 .XX ± 0.15 ANGLE: X ± 3°	APPROVALS		DATE	PART NO.
	DRAWN	GARY	09/24/07	020-01-00312/00313
	CHECKED			TITLE: SAS 29P Vertical DIP 3 ROWS 無凸點
APPROVALS			SIZE mm	SCALE : 1 : 1
			DRAWING NO. 000519	REV. C
			ID NO. XXXXXXXXX	SHEET 1 OF 1

A

A

DESCRIPTION

NO

Q'TY

UNIT

DO NOT SCALE DRAWING

4

3

2

1