

4

3

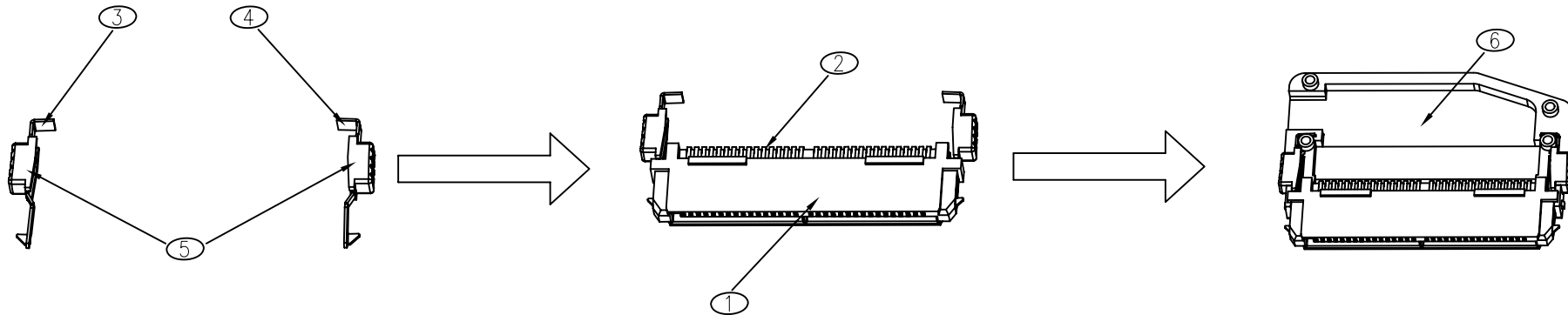
2

1

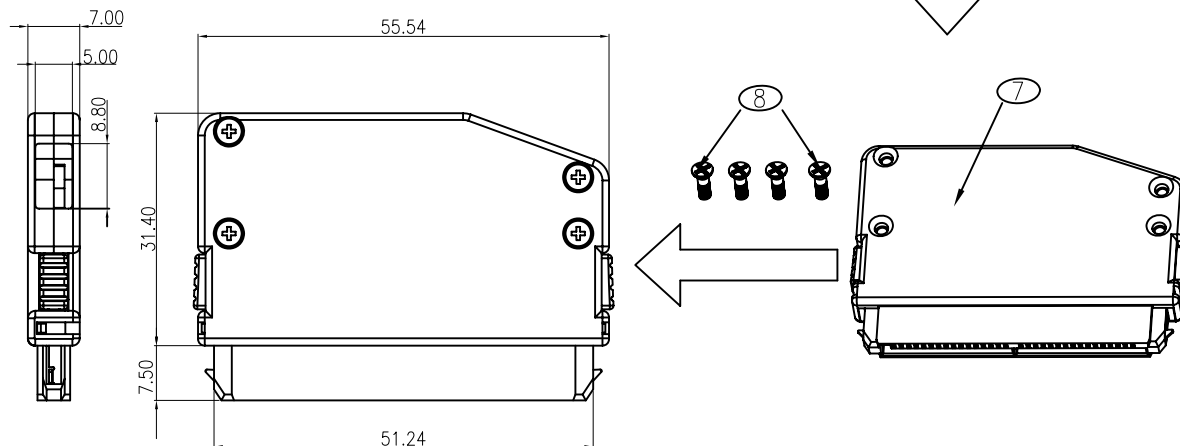
PART NO. SEE TABLE

REVISIONS			
LTR	DESCRIPTION	Drawing	DATE
B	ADD THE DIMENSION	JIANG	09/30'05
C	增加半成品料號	JIANG	12/22/06

### CUSTOMER DRAWING



8			020-06-00015	SCREW	4	STEEL
7			020-02-00052	BOTTOM SHELL	1	ABS
6			020-02-00051	TOP SHELL	1	ABS
5		020-01-00108	020-02-00046	LATCH BUTTON	2	ABS
4	020-01-00109		020-05-00017	LATCH-L	1	STAINLESS
3			020-05-00018	LATCH-R	1	STAINLESS
2		020-01-00106	020-04-00052	CONTACT	32	COPPER ALLOY
1			020-02-00033	BASE	1	THERMAL PLASTIC
ITEM	P/N		DESCRIPTION	Q'TY	MATERIAL	



#### NOTES:

- MATERIAL:  
HOUSING: LCP UL94V-0, COLOR: BLACK  
CONTACT: COPPER ALLOY.
- FINISH:  
CONTACT: GOLD PLATING ON CONTACT AREAS;  
TIN PLATED ON SOLDER TAILS;  
NICKEL UNDERPLATE OVER ALL.
- PRODUCT SPECIFICATION REFERENCE TO \*\*\*\*\*.
- PACKAGING SPECIFICATION REFERENCE TO \*\*\*\*\*.

DIMENSION ARE MILLIMETERS TOLERANCES ARE : DECIMALS .X iØ 0.30 .XX iØ 0.25 ANGLE: X ± 1°	APPROVALS		DATE	PART NO.
	DRAWN	JIANG	12/22/06	SEE TABLE
	CHECKED			TITLE: SAS 32P SOCKET STRAIGHT CABLE EXIT THE SIDE (W/ SHELL) SOLDER TYPE EXPLODE DRAWING
APPROVALS			SIZE	SCALE : 1 : 1
			DRAWING NO.	REV. c
			000227	
ID NO.	XXXXXXXXXX	SHEET		1 OF 1

DESCRIPTION

4

3

2

1

NO

Q'TY

UNIT

DO NOT SCALE DRAWING

ID NO.

XXXXXXXXXX

SHEET 1 OF 1