

4

3

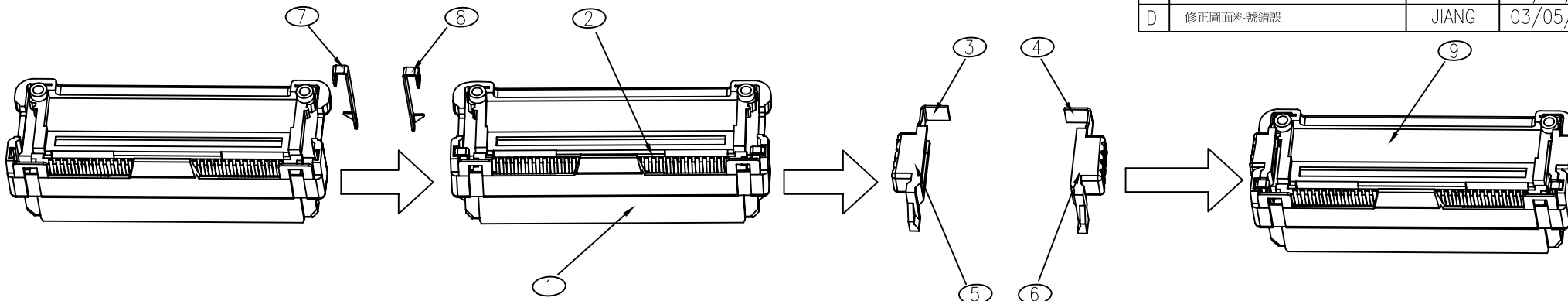
2

1

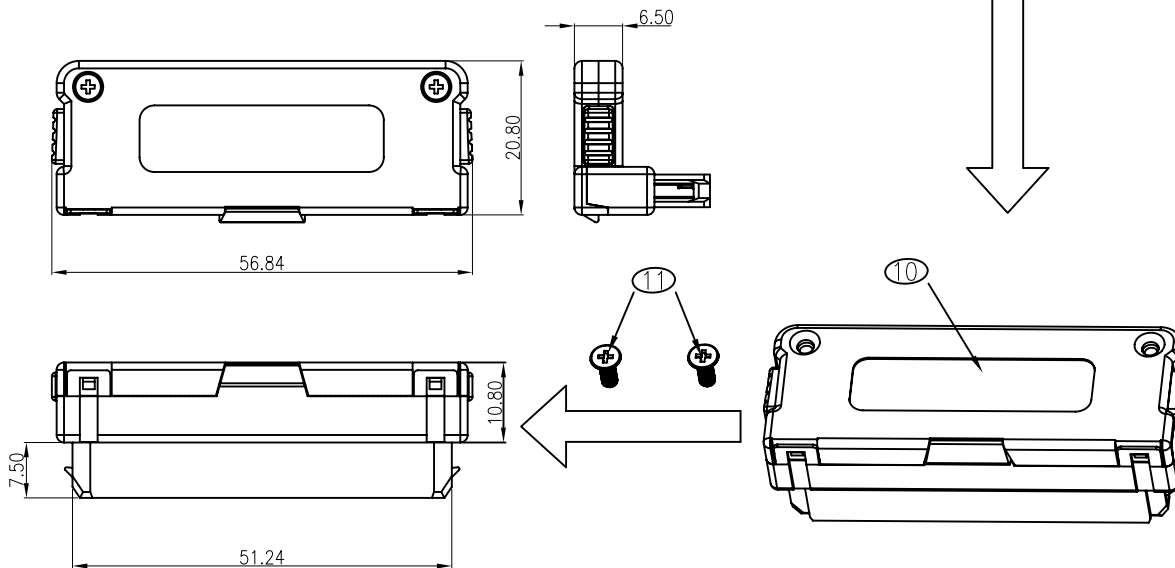
PART NO. SEE TABLE

REVISIONS			
LTR	DESCRIPTION	Drawing	DATE
B	ADD THE DIMENSION	JIANG	09/30'05
C	增加半成品料號	JIANG	12/22/06
D	修正圖面料號錯誤	JIANG	03/05/07

CUSTOMER DRAWING



11		020-06-00015	SCREW	2	STEEL
10		020-02-00047	BOTTOM SHELL	1	ABS
9		020-02-00048	TOP SHELL	1	ABS
8		020-03-00025	LATCH-R2	1	STAINLESS
7		020-03-00026	LATCH-L2	1	STAINLESS
6	020-01-00110	020-02-00050	LATCH BUTTON-R	1	ABS
5		020-02-00049	LATCH BUTTON-L	1	ABS
4		020-03-00023	LATCH-R1	1	STAINLESS
3		020-03-00024	LATCH-L1	1	STAINLESS
2		020-04-00052	CONTACT	32	COPPER ALLOY
1		020-01-00106	BASE	1	THERMAL PLASTIC
ITEM	P/N		DESCRIPTION	Q'TY	MATERIAL



NOTES:

- MATERIAL:
HOUSING: LCP UL94V-0, COLOR: BLACK
CONTACT: COPPER ALLOY.
- FINISH:
CONTACT: GOLD PLATING ON CONTACT AREAS;
TIN PLATED ON SOLDER TAILS;
NICKEL UNDERPLATE OVER ALL.
- PRODUCT SPECIFICATION REFERENCE TO *****.
- PACKAGING SPECIFICATION REFERENCE TO *****.

DIMENSION ARE MILLIMETERS TOLERANCES ARE : DECIMALS .X i0 0.30 .XX i0 0.25 ANGLE: X ± 1°	APPROVALS		DATE	PART NO. SEE TABLE
	DRAWN	JIANG	03/05/07	
	CHECKED			
	APPROVALS			
TITLE: SAS 32P SOCKET R/A (W/ SHELL) SOLDER TYPE EXPLODE DRAWING				
SIZE mm	SCALE : 1 : 1	DRAWING NO. 000228	REV. D	
ID NO.	XXXXXXXXXX	SHEET 1 OF 1		

DESCRIPTION

4

3

2

1

NO

QTY

UNIT

DO NOT SCALE DRAWING

ID NO.

XXXXXXXXXX

SHEET 1 OF 1