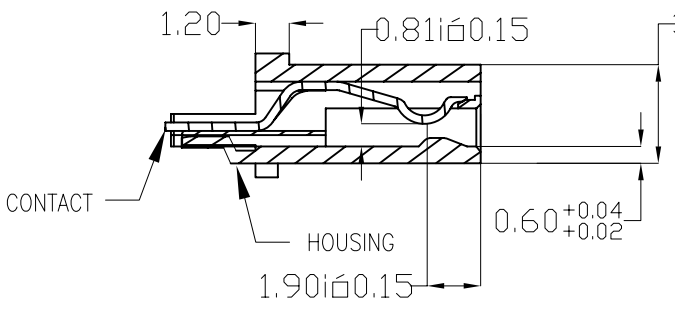
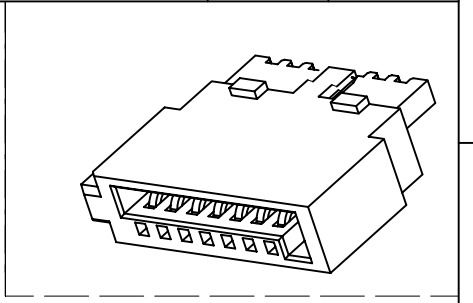
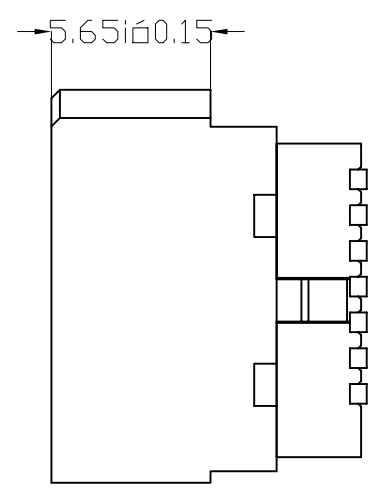
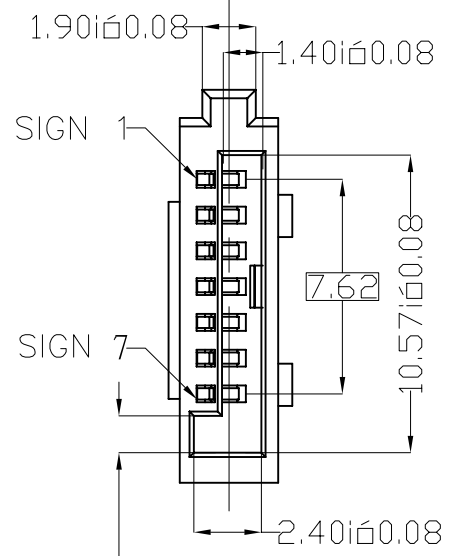
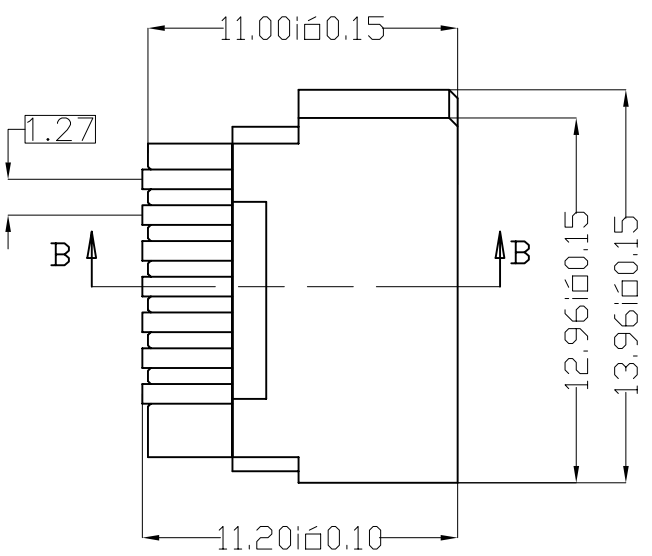


CUSTOMER DRAWING

REVISIONS			
LTR	DESCRIPTION	Drawing	DATE
C	Change the edition	DENG	08/22/05
D	Add the P/N	Angela	10/06/06
E	修改圖紙與實物相符	WITTY	02/12/07
G	11.20±0.25 → 11.20±0.10	WITTY	03/29/07
H	ADD NEW MATERIAL:無鹵素料	WITTY	07/23/07
I	變更尺寸	WITTY	09/05/07



TABLE

007-01-00447	(15u")無鹵素料,PBT
007-01-00446	(G/F)無鹵素料,PBT
007-01-00011	(15u")LCP
007-01-00014	(30u")PBT
007-01-00015	(15u")PBT
007-01-00016	(G/F) PBT
PART NO.	PLATED & MATERIAL

NOTES:
 1,MATERIAL:
 HOUSING: SEE TABLE,30%G.F,UL94V-0;BLACK
 CONTACT: PHOSPHOR BRONZE C5210R-EH T=0.30mm
 2,PLATING:
 CONTACT:GOLD OVER 50u" MIN NICKEL
 UNDERPLATE,SOLDER TAIL150u"MIN TIN OVER
 50u" MIN NICKEL UNDER PLATE
 GOLD SPECIFICATION:
 a, G/F ; b, 15u"; c,30u"
 3,THE PART NO OF ASSEMBLY FOR DIFFERENT MATERIAL
 OF PLASTIC PLEASE SEE TABLE1
 4, PRODUCT SPECIFICATION REFERENCE TO *****.
 5, PACKAGING SPECIFICATION REFERENCE TO *****.
 6.MEETS THE REQUIREMENTS OF DIRECTIVE 2002/95/EC OF THE
 EUROPEAN PARLIAMENT AND OF THE COUNCIL OF 27 JANUARY
 2003 ON THE RESTRICTION OF THE USE OF CERTAIN HAZARDOUS
 SUBSTANCES IN ELECTRICAL AND ELECTRONIC EQUIPMENT(ROHS)

DIMENSION ARE MILLIMETERS TOLERANCES ARE : DECIMALS .X ± 0.20 .XX ± 0.15 ANGLE: X ± 1°	APPROVALS		DATE	PART NO. 007-01-00446/00447 007-01-00011/00014/00015/00016
	DRAWN	WITTY	09/05/07	
	CHECKED			TITLE: ASSEMBLY OF SATA-7P SOCKET
	APPROVALS			SIZE SCALE : mm 1 : 1
DO NOT SCALE DRAWING			DRAWING NO. 000149	REV. I
ID NO.	XXXXXXXXXX	SHEET 1 OF 1		

DESCRIPTION

NO