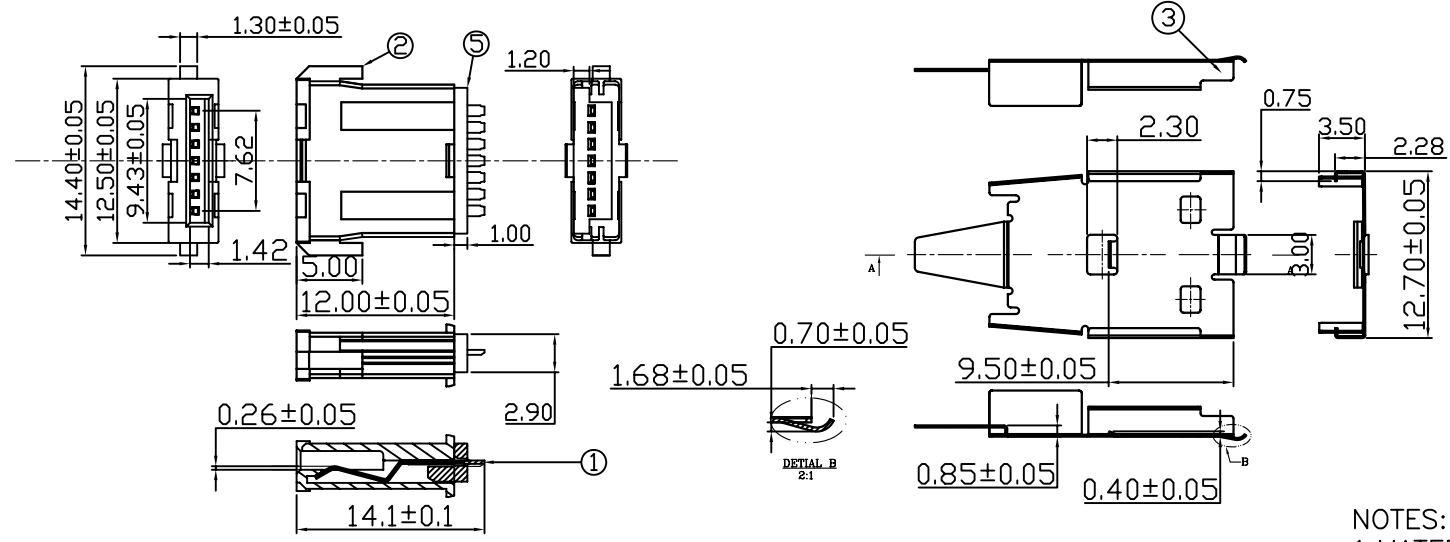


PART NO. SEE TABLE

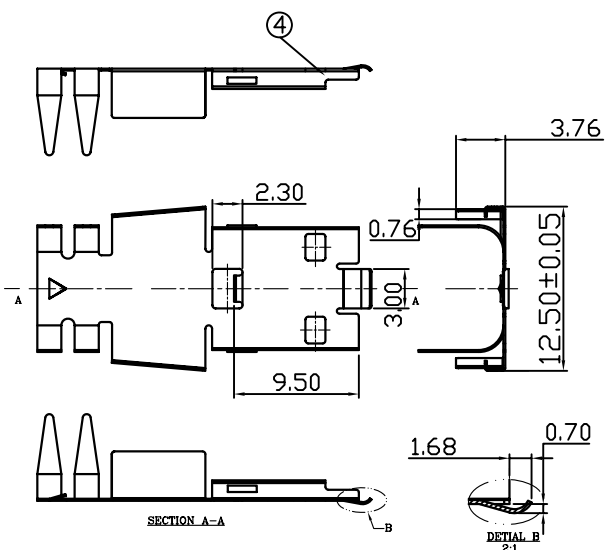
CUSTOMER DRAWING

REVISIONS			
LTR	DESCRIPTION	Drawing	DATE
F	CHANGE THE DRAWING	JIANG	04/18/06



007-01-00175	15u"
007-01-00236	G/F
PART NO.	PLATED

NOTES:
 1, MATERIAL:
 HOUSING: PBT, COLOR: BLACK
 SEHLL: SUS 304-1/2H
 CONTACT: COPPER ALLOY T=0.25±0.01mm
 2, PLATING:
 CONTACT: GOLD OVER 50u" MIN NICKEL
 UNDERPLATE, SOLDER TAIL 150u" MIN TIN OVER
 50u" MIN NICKEL UNDERPLATE
 GOLD SPECIFICATION: G/F", 15u";
 3. ELECTRICAL:
 CURRENT RATING: 5 AMP
 DIELECTRIC WITHSTANDING VOLTAGE: AC 500V
 MIN(FOR 1 MINUTE)
 INSULATION RESISTANCE: 500MΩMIN(AT 500V DC)
 CONTACT RESISTANCE: 30 MILLIOHMS MAX
 WORKING TEMPERATURE: -45° TO +85°



NO.	PARTNAME	MATERIALS	THICKNESS	QTY
5	LOCK	PBT	0.15mm	1
4	SHELL 2	SUS304	0.15mm	1
3	SHELL 1	SUS304	0.15mm	1
2	HOUSING	PBT		1
1	CONTACT	C5191	0.25mm	7

DIMENSION ARE MILLIMETERS TOLERANCES ARE : DECIMALS .X i0 0.30 .XX i0 0.25 ANGLE: X ± 1°		APPROVALS		DATE	PART NO.:
		DRAWN	JIANG	04/18/06	007-01-00175 / 00236
		CHECKED			TITLE:
		APPROVALS			SATA-II 7P SOCKET SOLDER
SIZE	SCALE :	DRAWING NO.	REV.		
mm	1 : 1	000241	F		
ID NO	XXXXXXXXXX	SHEET		1 OF 1	

NO	DESCRIPTION	QTY	UNIT	DO NOT SCALE DRAWING
4				
3				
2				
1				