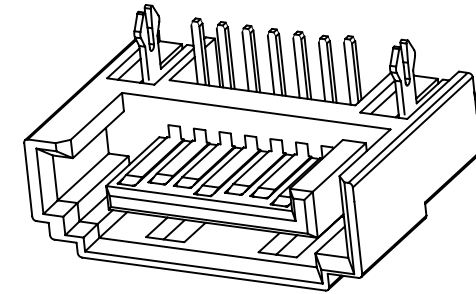


CUSTOMER DRAWING

REVISIONS			
LTR	DESCRIPTION	Drawing	DATE
A	ease for Manufacture Initial Rel	WITTY	11/07/06
B	CHAGNE THE DIMENSION	WITTY	11/20/06
C	ADD THE NEW TYPE PIN 3.20	WITTY	01/18/07

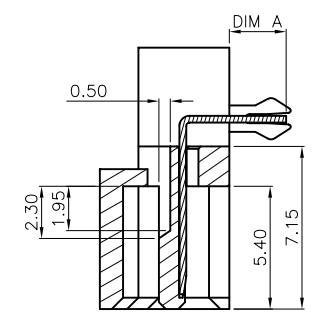
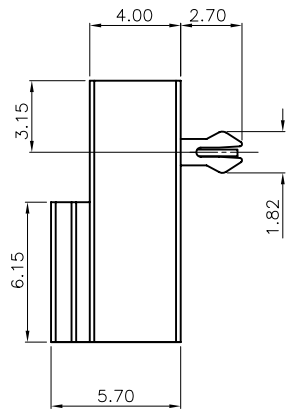
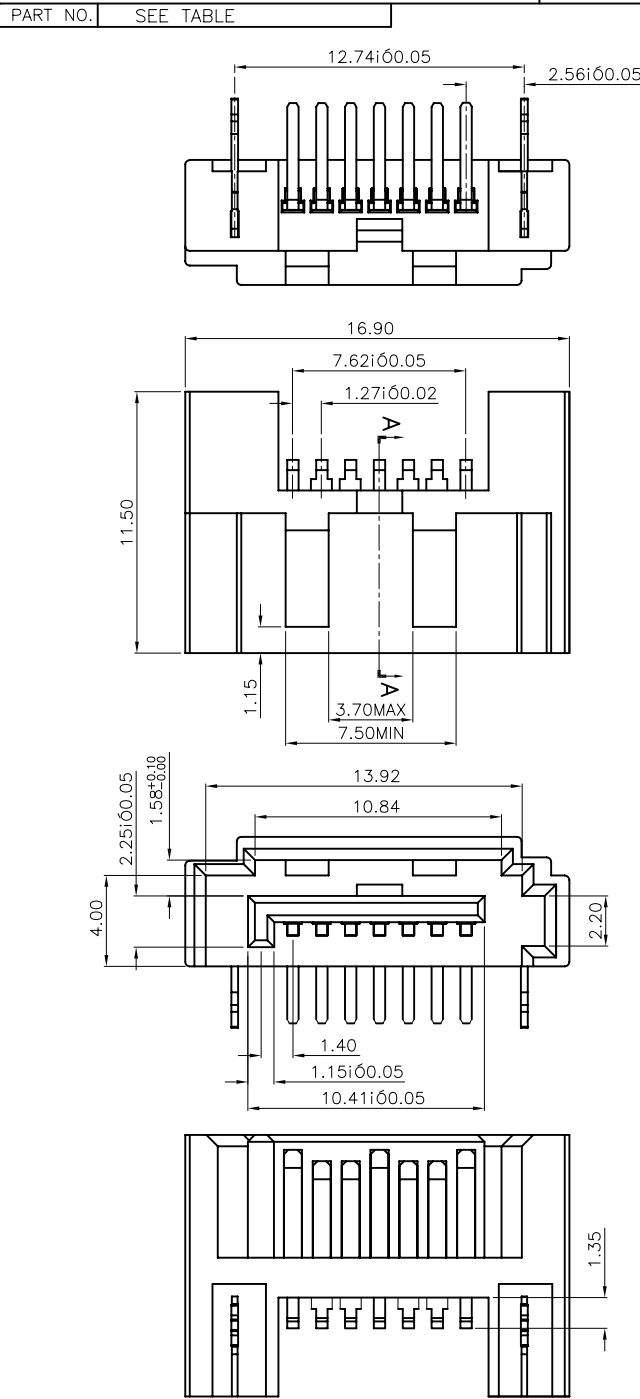


TABLE

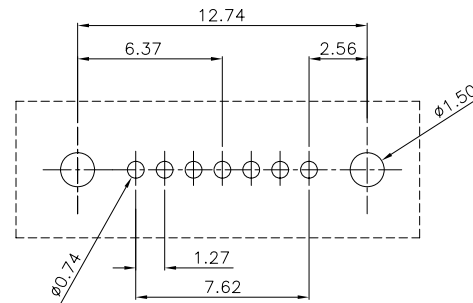
PART NO	PLATING	DIM A
007-01-00355	15U"	3.20
007-01-00354	G/F	3.20
007-01-00269	15U"	2.50
007-01-00268	G/F	2.50

NOTES:

- MATERIAL:
 - HOUSING: HIGH TEMPERATURE THERMOPLASTIC, UL94 V-0, COLOR: BLACK
 - CONTACT: COPPER ALLOY T=0.30mm
 - LATCH: COPPER ALLOY T=0.30mm
- PLATING:
 - CONTACT: GOLD OVER 50u" MIN NICKEL UNDERPLATE, SOLDER TAIL 150u" MIN TIN OVER 50u" MIN NICKEL UNDERPLATE
 - LATCH: 100u" MIN MISTY TIN PLATING ON SOLDER TAILS 50u" MIN NICKEL UNDERPLATING OVER ALL GOLD SPECIFICATION: a, G/F; b, 15u";
- ELECTRONICAL SPECIFICATION:
 - CURRENT RATING: 1.5 AMPERE PER CONTACT
 - CONTACT RESISTANCE: 30 MILLIOHM MAX.
 - INSULATION RESISTANCE: 1000 MEGOHMS MIN.
 - DIELECTRIC WITHSTANDING VOLTAGE: 500 VAC.
 - OPERATING TEMPERATURE: -20°C ~ +85°C
- MEETS THE REQUIREMENTS OF DIRECTIVE 2002/95/EC OF THE EUROPEAN PARLIAMENT AND OF THE COUNCIL OF 27 JANUARY 2003 ON THE RESTRICTION OF THE USE OF CERTAIN HAZARDOUS SUBSTANCES IN ELECTRICAL AND ELECTRONIC EQUIPMENT (ROHS)



SECTION A
SCALE 1:1



RECOMMEND PCB LAYOUT
PCB TOLERANCE: ±0.05

DIMENSION ARE MILLIMETERS
TOLERANCES ARE :
DECIMALS
.X ± 0.30
.XX ± 0.25
ANGLE:
X ± 1°

APPROVALS		DATE
DRAWN	WITTY	01/18/07
CHECKED		
APPROVALS		

PART NO.		007-01-00268/00269	
		007-01-00354/00355	
TITLE: SATA 7P PLUG 三面包 DIP			
PIN 2.5 \ 3.2mm			
SIZE	SCALE :	DRAWING NO.	REV.
mm	1 : 1	000397	C
ID NO.	XXXXXXXXXX	SHEET 1 OF 1	

DESCRIPTION

NO QTY UNIT DO NOT SCALE DRAWING