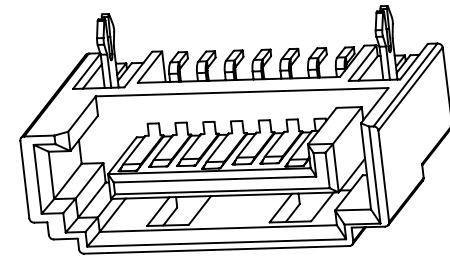


# CUSTOMER DRAWING

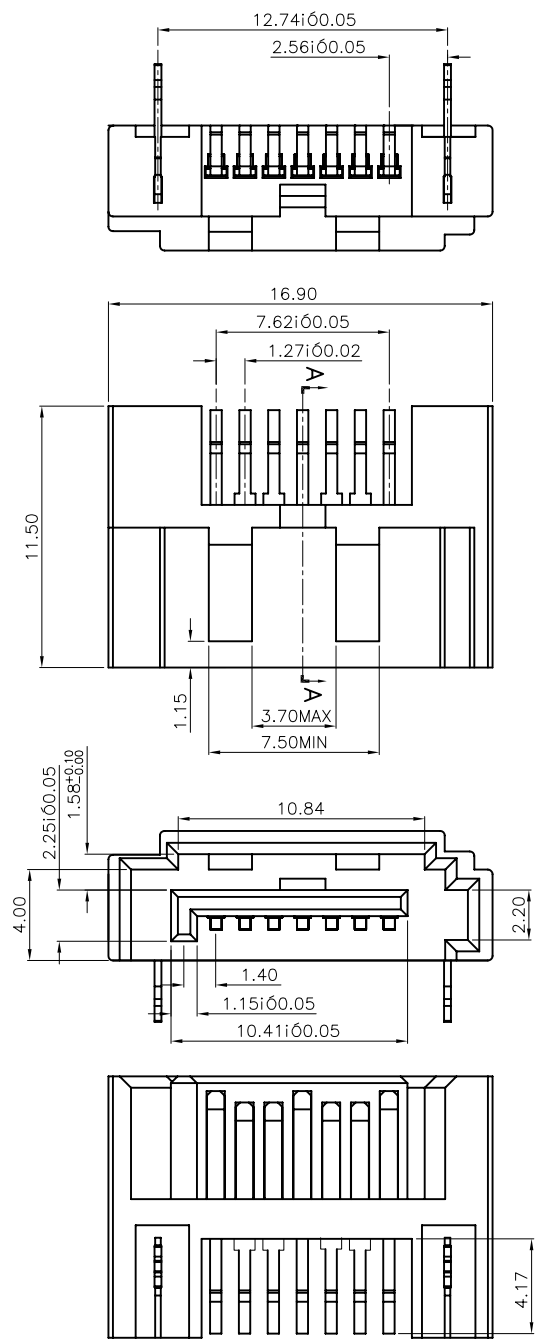
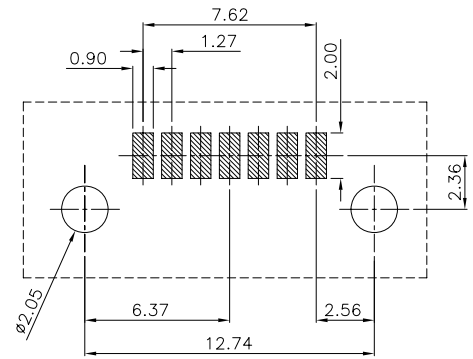
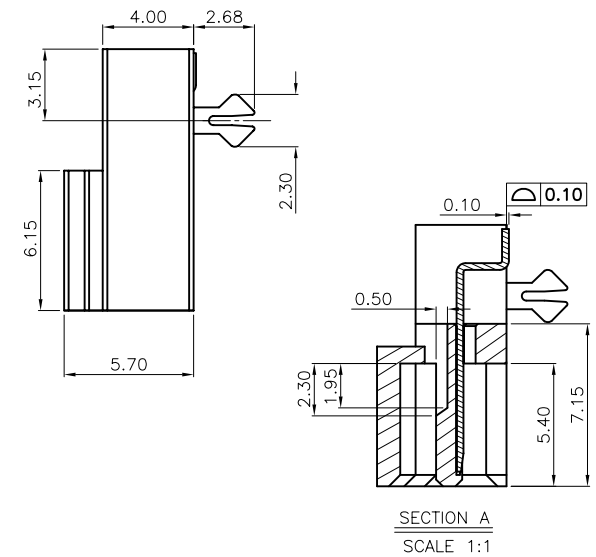
REVISIONS			
LTR	DESCRIPTION	Drawing	DATE
A	ease for Manufacture Initial Rel	WITTY	11/07/06
B	CHANGE THE DIMENSION	WITTY	11/20/06
C	修改圖紙與實物相符	WITTY	03/05/07



TABLE

007-01-00280	15U"
007-01-00279	G/F
PART NO	PLATING

- NOTES:
- MATERIAL:
    - HOUSING: HIGH TEMPERATURE THERMOPLASTIC, UL94 V-0, COLOR: BLACK
    - CONTACT: COPPER ALLOY T=0.30mm
    - LATCH: COPPER ALLOY T=0.30mm
  - PLATING:
    - CONTACT: GOLD OVER 50u" MIN NICKEL UNDERPLATE, SOLDER TAIL 150u" MIN TIN OVER 50u" MIN NICKEL UNDERPLATE
    - LATCH: 100u" MIN MISTY TIN PLATING ON SOLDER TAILS
    - 50u" MIN NICKEL UNDERPLATING OVER ALL GOLD SPECIFICATION: a, G/F; b, 15u";
  - ELECTRONICAL SPECIFICATION:
    - CURRENT RATING: 1.5 AMPERE PER CONTACT
    - CONTACT RESISTANCE: 30 MILLIOHMS MAX.
    - INSULATION RESISTANCE: 1000 MEGOHMS MIN.
    - DIELECTRIC WITHSTANDING VOLTAGE: 500 VAC.
    - OPERATING TEMPERATURE: -20°C ~ +85°C
  - MEETS THE REQUIREMENTS OF DIRECTIVE 2002/95/EC OF THE EUROPEAN PARLIAMENT AND OF THE COUNCIL OF 27 JANUARY 2003 ON THE RESTRICTION OF THE USE OF CERTAIN HAZARDOUS SUBSTANCES IN ELECTRICAL AND ELECTRONIC EQUIPMENT (ROHS)



PART NO. SEE TABLE

APPROVALS		DATE	PART NO.	
DRAWN	WITTY	03/05/07	007-01-00279/00280	
CHECKED			TITLE: SATA 7P PLUG 三面包 SMT (魚叉2.30mm)	
APPROVALS			SIZE	SCALE :
			mm	1 : 1
			DRAWING NO.	REV.
			000403	C
ID NO	XXXXXXXXXX		SHEET 1 OF 1	

NO	DESCRIPTION	QTY	UNIT	DO NOT SCALE DRAWING
4				
3				
2				
1				