

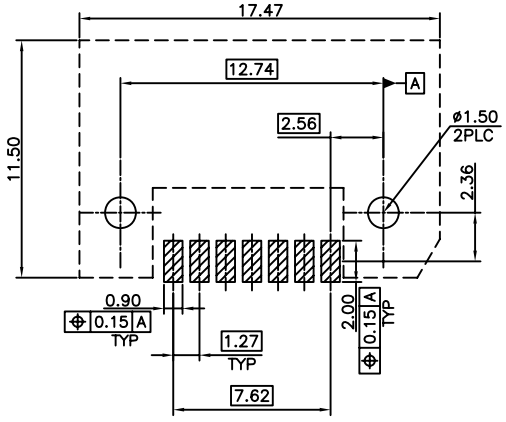
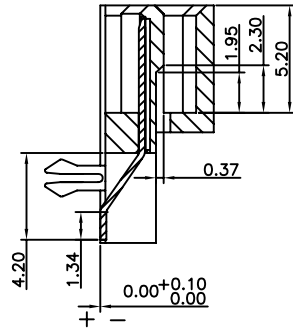
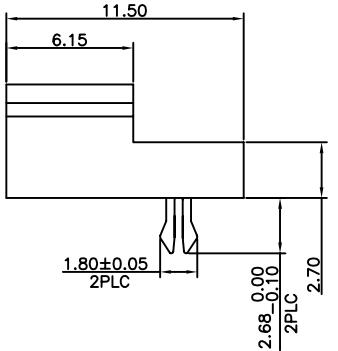
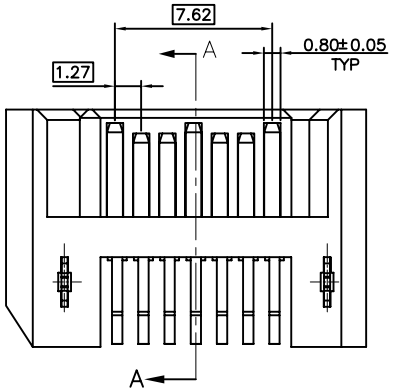
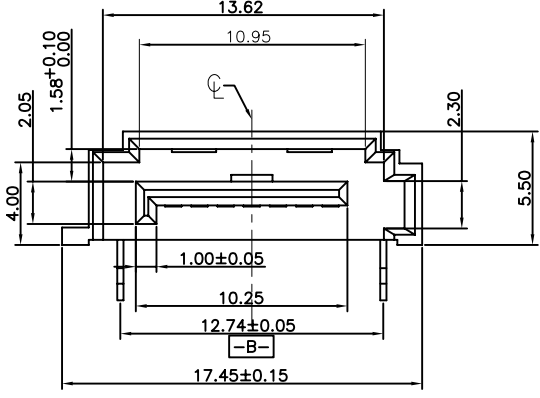
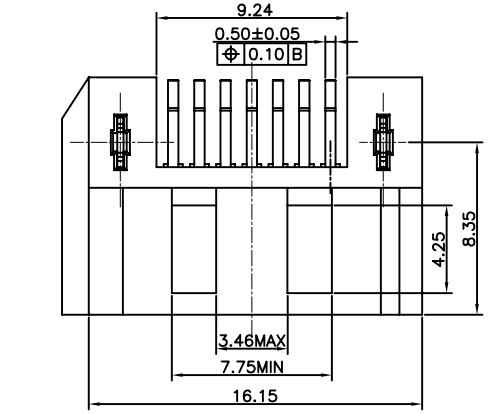
PART NO. SEE TABLE

REVISIONS			
LTR	DESCRIPTION	Drawing	DATE
A	ease for Manufacture Initial Rel	BILL	01/25/07
B	更改端子錫腳的形狀	BILL	05/21/07

CUSTOMER DRAWING

TABLE

PART NO	PLATING	MATERIAL&COLOR
007-01-00342	15U*	LCP BLACK
007-01-00341	G/F	LCP BLACK



RECOMMEND PCB LAYOUT
PCB TOLERANCE: ±0.05

NOTES:

- MATERIAL:
HOUSING: HIGH TEMPERATURE THERMOPLASTIC UL94V-0 COLOR:BLACK.
CONTACT: COPPER ALLOY.
BOARD LOCK: COPPER ALLOY.
- FINISH:
CONTACT: GOLD PLATING ON CONTACT AREAS;
TIN PLATED ON SOLDER TAILS;
NICKEL UNDERPLATE OVER ALL.
BOARD LOCK: TIN PLATED ON SOLDER TAILS;
NICKEL UNDERPLATE OVER ALL.
- PRODUCT SPECIFICATION REFERENCE TO *****.
- PACKAGING SPECIFICATION REFERENCE TO *****.

DIMENSION ARE MILLIMETERS TOLERANCES ARE : DECIMALS .X ± 0.30 .XX ± 0.25 ANGLE: X ± 1°	APPROVALS		DATE	PART NO.
	DRAWN	BILL	05/21/07	007-01-00341/00342
	CHECKED			TITLE: SATA 7P 公頭 三面包 SMT型 魚叉1.80mm(新版)
	APPROVALS			SIZE SCALE : mm 1 : 1 DRAWING NO. 000436 REV. B
ID NO. XXXXXXXXX			SHEET 1 OF 1	

DESCRIPTION SECTION A