

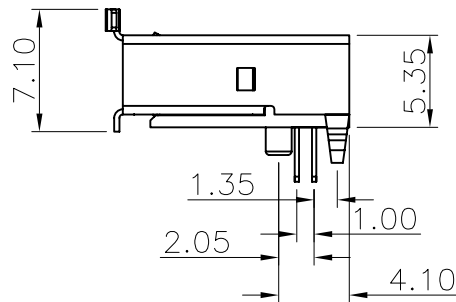
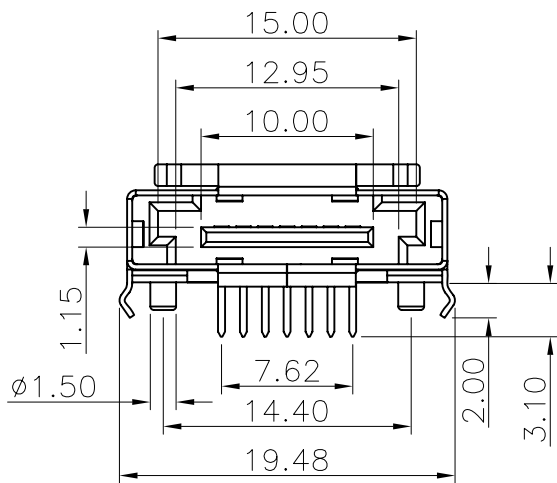
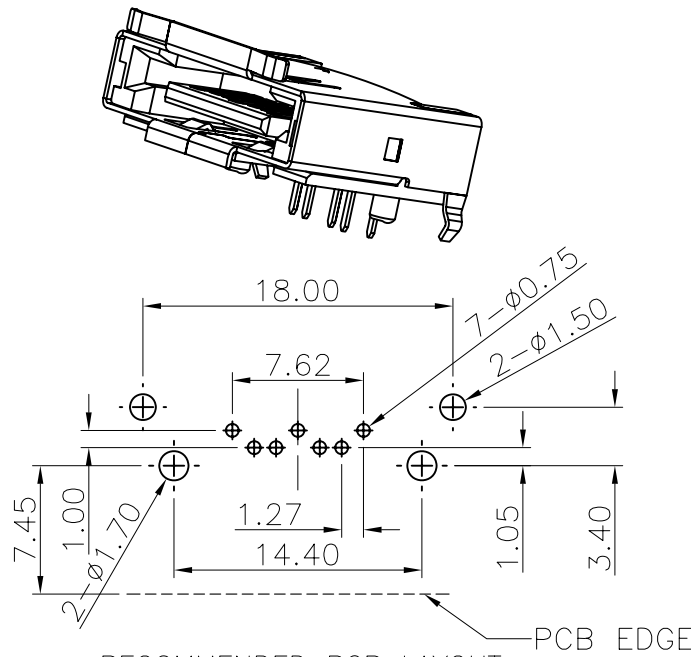
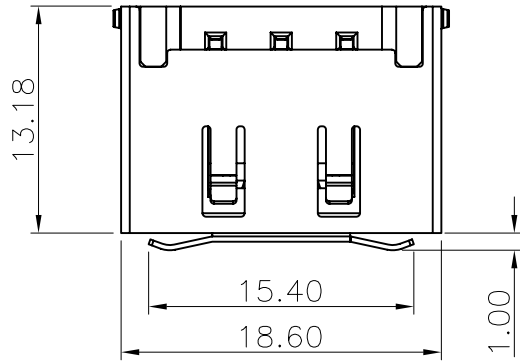
CUSTOMER DRAWING

PART NO. SEE TABLE

REVISIONS			
LTR	DESCRIPTION	Drawing	DATE
A	RELEASE NEW PRODUCT	GARY	05/23/07

NOTE:

- 1.MATERIAL :
 BASE : HIGH TEMPERATURE THERMOPLASTIC
 UL94V-0, COLOR : RED
 TERMINAL: COPPER ALLOY,THICKNESS = 0.30 mm
 SHELL: COPPER ALLOY,THICKNESS = 0.30 mm
- 2.PLATING:
 CONTACT:GOLD OVER 50u" MIN NICKEL UNDERPLATE
 SOLDER TAIL:150u"MIN MISTY TIN 50u" MIN NICKEL UNDERPLATE
- 3.ELECTRONICAL SPECIFICATION:
 CURRENT RATING: 1.5 AMPERE PER CONTACT
 CONTACT RESISTANCE: 30 MILLIOHMS MAX.
 INSULATION RESISTANCE: 1000 MEGOHMS MIN.
 DIELECTRIC WITHSTANDING VOLTAGE: 500 VDC.
 OPERATING TEMPERATURE: -40°C~+85°C
- 4.MEETS THE REQUIREMENTS OF DIRECTIVE 2002/95/EC OF THE EUROPEAN PARLIAMENT AND OF THE COUNCIL OF 27 JANUARY 2003 ON THE RESTRICTION OF THE USE OF CERTAIN HAZARDOUS SUBSTANCES IN ELECTRICAL AND ELECTRONIC EQUIPMENT(ROHS)



PART NO.

021-01-X X X X A

- SHELL PLATING
 - 1:TIN PLATED
 - 2:NICKLE PLATED
 - 3:GOLD FLASH
- HOUSING MATERIAL
 - 1:LCP
 - 2:PBT
- COLOR FOR HOUSING
 - 1:RED
 - 2:BLACK
- CONTACT PLATING
 - 1:GOLD FLASH
 - 2:15u" GOLD
 - 3:30u" GOLD

DIMENSION ARE MILLIMETERS TOLERANCES ARE : DECIMALS .X ± 0.30 .XX ± 0.25 ANGLE: X ± 3°	APPROVALS		DATE	PART NO.: 021-01-XXXXA			
	DRAWN	GARY	05/23/07	TITLE: ESATA 7P PLUG/SINGLE Normal DIP TYPE			
	CHECKED			SIZE SCALE : DRAWING NO. REV. mm 1 : 1 000476 A			
	APPROVALS			ID NO. XXXXXXXXXX	SHEET 1 OF 1		

DESCRIPTION

NO

4

3

2

1