

CUSTOMER DRAWING

REVISIONS			
LTR	DESCRIPTION	Drawing	DATE
A	RELEASE NEW PRODUCT	GARY	05/23/07

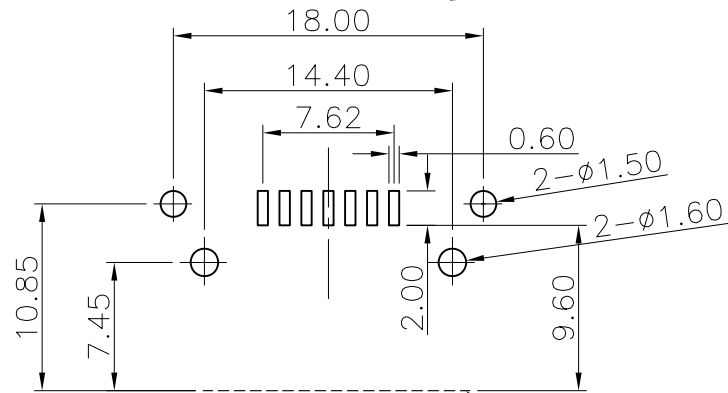
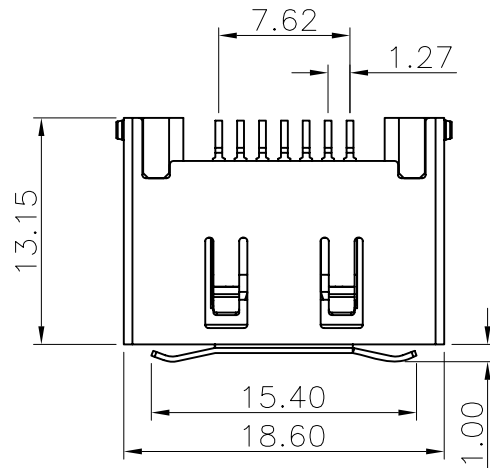
NOTE:

- MATERIAL :
 BASE : HIGH TEMPERATURE THERMOPLASTIC
 UL94V-0, COLOR : RED
 TERMINAL: COPPER ALLOY, THICKNESS = 0.30 mm
 SHELL: COPPER ALLOY, THICKNESS = 0.30 mm
- PLATING:
 CONTACT: GOLD OVER 50u" MIN NICKEL UNDERPLATE
 SOLDER TAIL: 150u" MIN MISTY TIN 50u" MIN NICKEL UNDERPLATE
- ELECTRONICAL SPECIFICATION:
 CURRENT RATING: 1.5 AMPERE PER CONTACT
 CONTACT RESISTANCE: 30 MILLIOHMS MAX.
 INSULATION RESISTANCE: 1000 MEGOHMS MIN.
 DIELECTRIC WITHSTANDING VOLTAGE: 500 VDC.
 OPERATING TEMPERATURE: -40°C~+85°C
- MEETS THE REQUIREMENTS OF DIRECTIVE 2002/95/EC OF THE EUROPEAN PARLIAMENT AND OF THE COUNCIL OF 27 JANUARY 2003 ON THE RESTRICTION OF THE USE OF CERTAIN HAZARDOUS SUBSTANCES IN ELECTRICAL AND ELECTRONIC EQUIPMENT (ROHS)

PART NO.

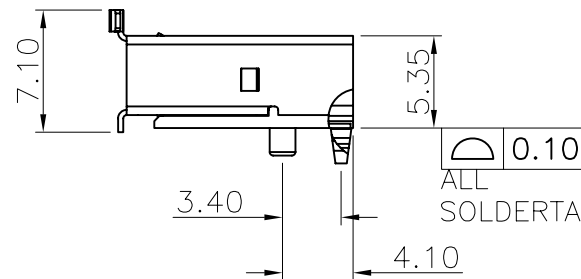
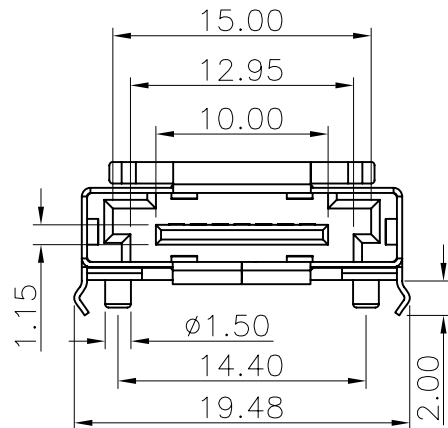
021-01-X X X X B

- SHELL PLATING
 - 1: TIN PLATED
 - 2: NICKLE PLATED
 - 3: GOLD FLASH
- HOUSING MATERIAL
 - 1: LCP
 - 2: PBT
- COLOR FOR HOUSING
 - 1: RED
 - 2: BLACK
- CONTACT PLATING
 - 1: GOLD FLASH
 - 2: 15u" GOLD
 - 3: 30u" GOLD



RECOMMENDED PCB LAYOUT

PCB EDGE



ALL SOLDERTAILS

DIMENSION ARE MILLIMETERS TOLERANCES ARE : DECIMALS .X ± 0.30 .XX ± 0.25 ANGLE: X ± 3°	APPROVALS		DATE	PART NO.: 021-01-XXXXB			
	DRAWN	GARY	05/23/07	TITLE: ESATA 7P PLUG/SINGLE Normal SMT TYPE			
	CHECKED			SIZE SCALE : DRAWING NO. REV. mm 1 : 1 000477 A			
	APPROVALS			ID NO.	XXXXXXXXXX	SHEET 1 OF 1	

DESCRIPTION

NO

4

3

2

1