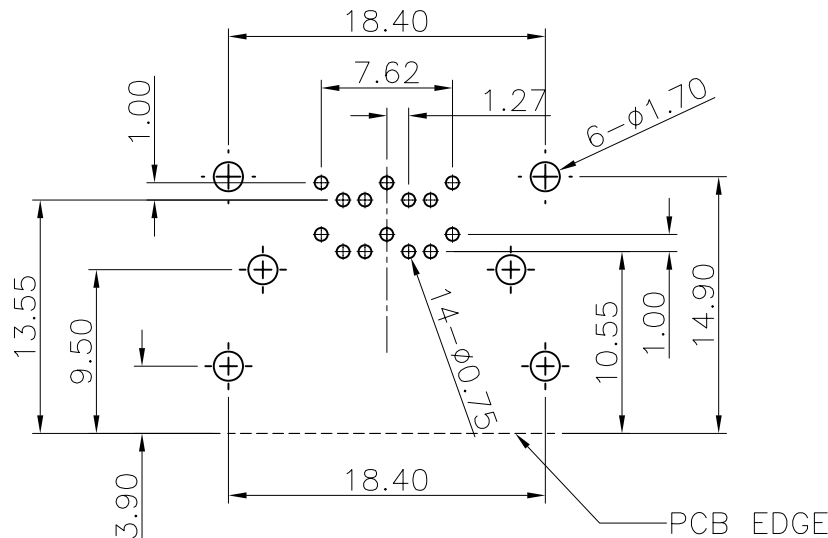
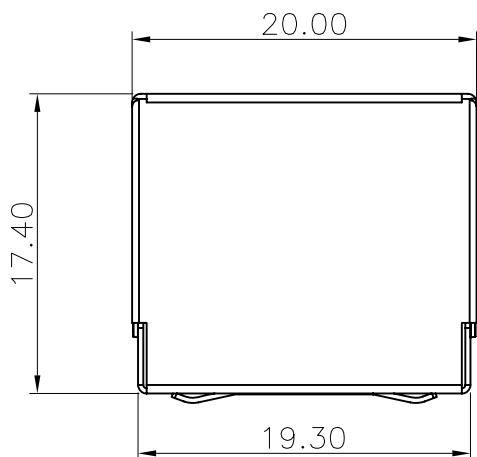


CUSTOMER DRAWING

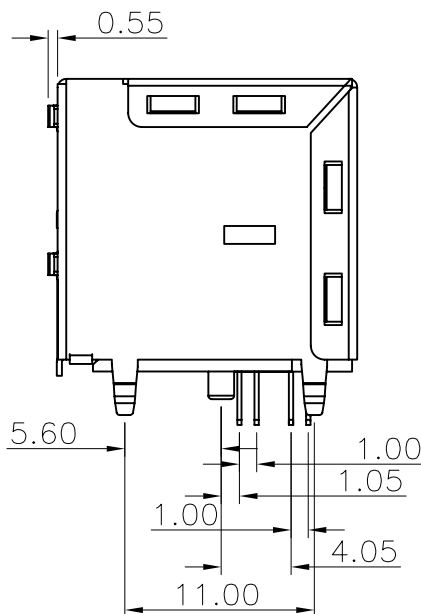
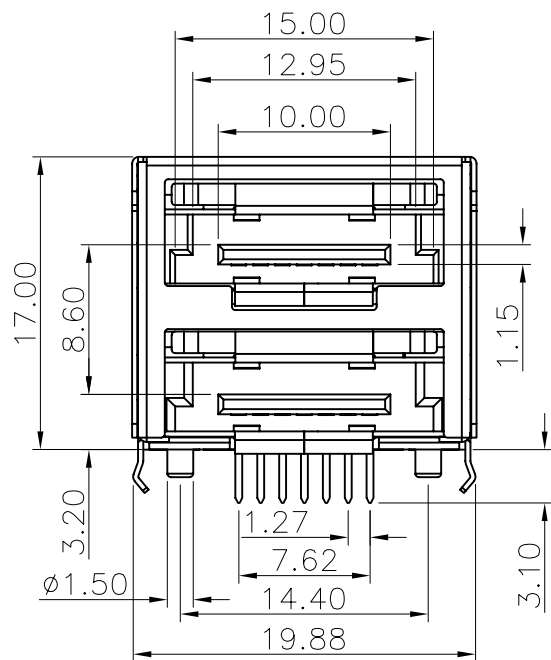
REVISIONS			
LTR	DESCRIPTION	Drawing	DATE
A	RELEASE NEW PRODUCT	GARY	05/23/07

NOTE:

- 1.MATERIAL :
 BASE : HIGH TEMPERATURE THERMOPLASTIC
 UL94V-0, COLOR : RED
 TERMINAL: COPPER ALLOY,THICKNESS = 0.30 mm
 SHELL: COPPER ALLOY,THICKNESS = 0.30 mm
- 2.PLATING:
 CONTACT:GOLD OVER 50u" MIN NICKEL UNDERPLATE
 SOLDER TAIL:150u"MIN MISTY TIN 50u" MIN NICKEL UNDERPLATE
- 3.ELECTRONICAL SPECIFICATION:
 CURRENT RATING: 1.5 AMPERE PER CONTACT
 CONTACT RESISTANCE: 30 MILLIOHMS MAX.
 INSULATION RESISTANCE: 1000 MEGOHMS MIN.
 DIELECTRIC WITHSTANDING VOLTAGE: 500 VDC.
 OPERATING TEMPERATURE: -40°C~+85°C
- 4.MEETS THE REQUIREMENTS OF DIRECTIVE 2002/95/EC OF THE EUROPEAN PARLIAMENT AND OF THE COUNCIL OF 27 JANUARY 2003 ON THE RESTRICTION OF THE USE OF CERTAIN HAZARDOUS SUBSTANCES IN ELECTRICAL AND ELECTRONIC EQUIPMENT(ROHS)



RECOMMENDED PCB LAYOUT



PART NO.

021-01-X X X X F

- SHELL PLATING
 - 1:TIN PLATED
 - 2:NICKLE PLATED
- HOUSING MATERIAL
 - 1:LCP
 - 2:PBT
- COLOR FOR HOUSING
 - 1:RED
 - 2:BLACK
- CONTACT PLATING
 - 1:GOLD FLASH
 - 2:15u" GOLD
 - 3:30u" GOLD

DIMENSION ARE MILLIMETERS TOLERANCES ARE : DECIMALS .X ± 0.30 .XX ± 0.25 ANGLE: X ± 3°	APPROVALS		DATE	PART NO.: 021-01-XXXXF			
	DRAWN	GARY	05/23/07	TITLE: ESATA 7P PLUG/DOUBLE Reverse DIP TYPE			
	CHECKED						
	APPROVALS				SIZE	SCALE :	DRAWING NO.
				mm	1 : 1	000481	A
				ID NO.	XXXXXXXXXX		SHEET 1 OF 1

DESCRIPTION

NO

4

3

2

1