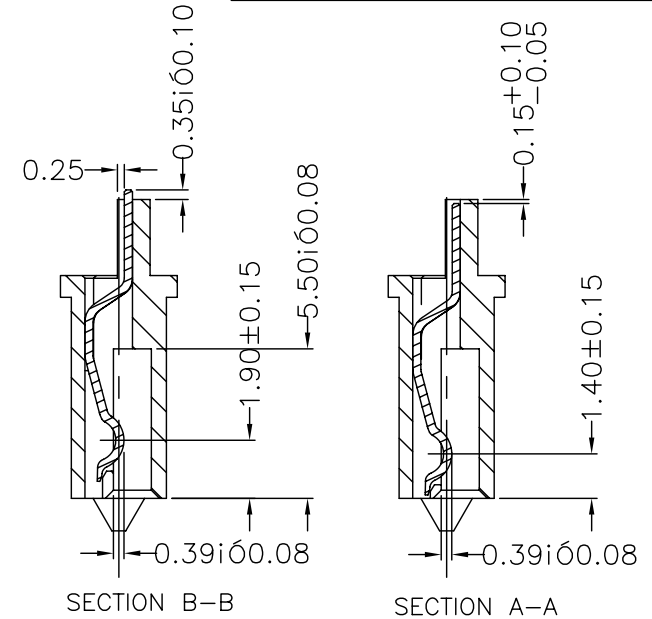
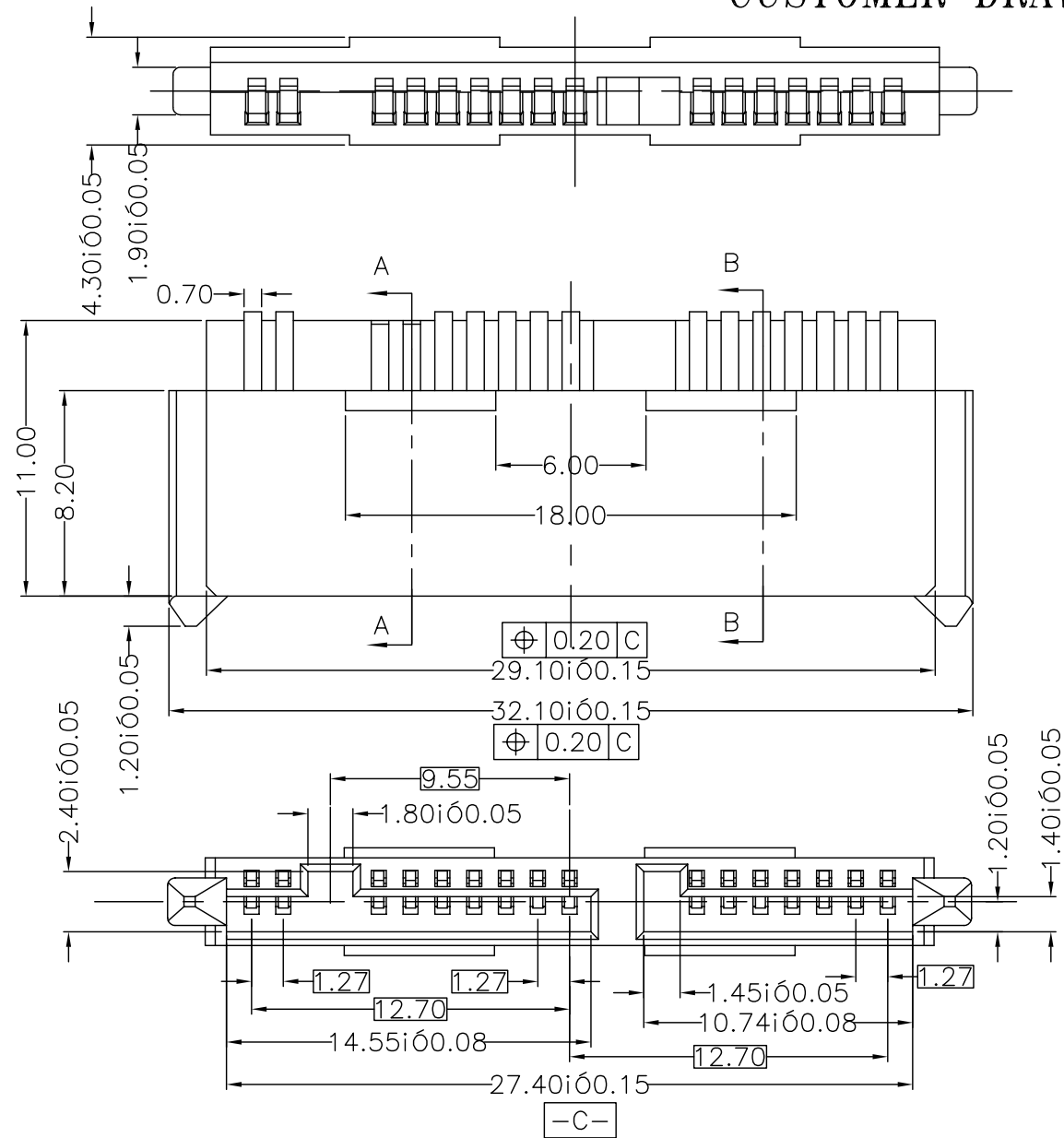


PART NO. 007-01-00438

CUSTOMER DRAWING

REVISIONS			
LTR	DESCRIPTION	Drawing	DATE
A	INITIAL FOR MANUFACTURE REL	BILL	07/09/07'
B	修改圖紙與實物相符	BILL	08/25/07'



NOTE:
 1.MATERIAL :
 BASE:HIGH THERMOPLASTIC UL94V-0, COLOR : BLACK
 TERMINAL: COPPER ALLOY, T= 0.30 mm
 2,PLATING:
 CONTACT:GOLD PLATED ON THE CONTACT.
 TIN PLATED ON THE SOLDER TAIL.
 NICKEL UNDERPLATED OVER ALL.
 3.ELECTRONICAL SPECIFICATION:
 CURRENT RATING: 1.5 AMPERE PER CONTACT
 CONTACT RESISTANCE: 30 MILLIOHMS MAX.
 INSULATION RESISTANCE: 1000 MEGOHMS MIN.
 DIELECTRIC WITHSTANDING VOLTAGE: 500 VAC.
 OPERATING TEMPERATURE: -40°C~+85°C

APPROVALS		DATE	TITLE:		
DRAWN	BILL	08/25/07'	SATA 16P SOCKET SOLDER TYPE		
CHECKED			SIZE	SCALE :	DRAWING NO.
APPROVALS			mm	1 : 1	000507
			REV.	SHEET 1 OF 1	
			B		