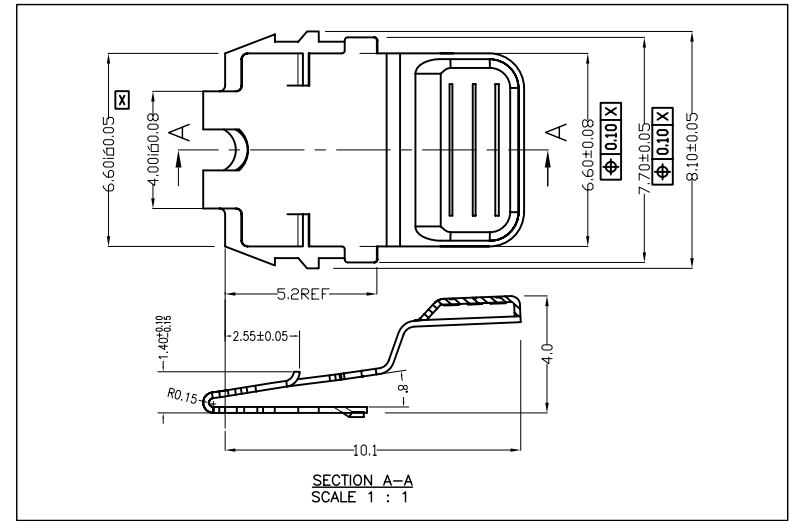
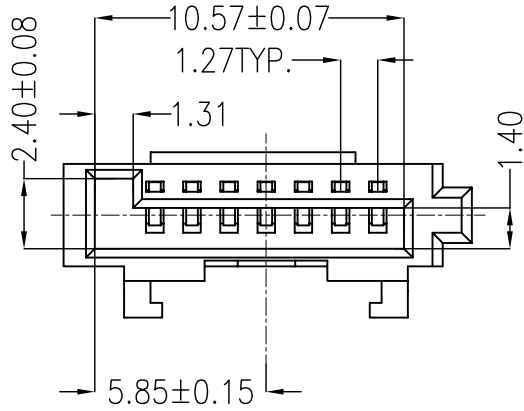


CUSTOMER DRAWING

REVISIONS

LTR	DESCRIPTION	Drawing	DATE
A	ease for Manufacture Initial Rel	WITTY	08/30/07
B	ADD THE NEW PART NO.	WITTY	09/03/07



(NO ASSEMBLY) SPRING'S VIEW

NOTES:

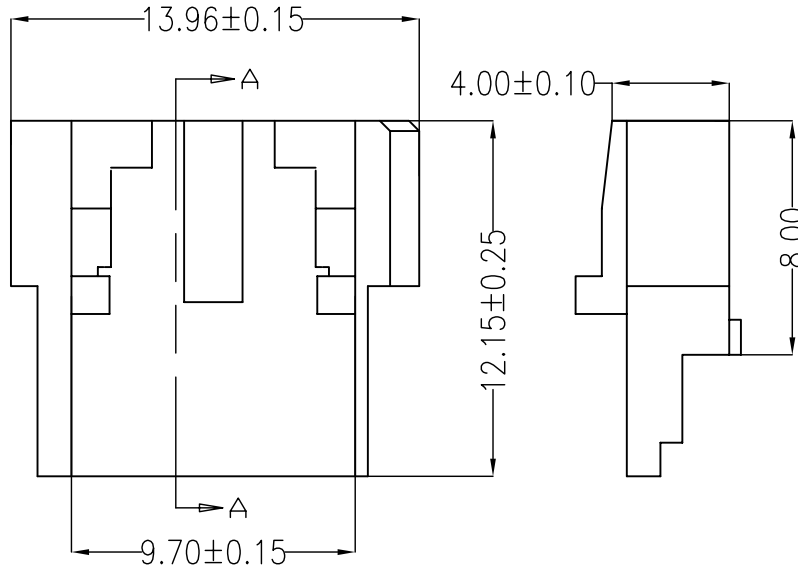
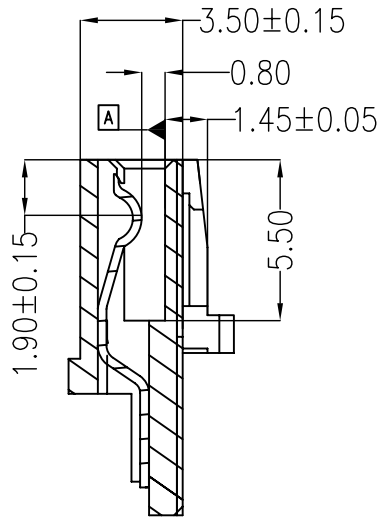
1, MATERIAL:

HOUSING: SEE TABLE, UL94V-0, BLACK
CONTACT: PHOSPHOR BRONZE T=0.30mm

2, PLATING:

CONTACT: GOLD OVER 50u" MIN NICKEL
UNDERPLATE, SOLDER TAIL 150u" MIN TIN OVER
50u" MIN NICKEL UNDERPLATE

GOLD SPECIFICATION: a, F/G; b, 15U";
3. MEETS THE REQUIREMENTS OF DIRECTIVE
2002/95/EC OF THE EUROPEAN PARLIAMENT AND
OF THE COUNCIL OF 27 JANUARY 2003 ON THE
RESTRICTION OF THE USE OF CERTAIN HAZARDOUS
SUBSTANCES IN ELECTRICAL AND ELECTRONIC
EQUIPMENT (ROHS)



TABLE

007-01-00474	30u"	LCP
007-01-00475	30u"	PBT+30%G/F
007-01-00461	15u"	LCP
007-01-00462	15u"	PBT+30%G/F
PART NO.	PLATED	BASE MATERIAL

DIMENSION ARE
MILLIMETERS
TOLERANCES ARE :
DECIMALS
.X ± 0.20
.XX ± 0.15
ANGLE:
X ± 1°

APPROVALS		DATE
DRAWN	WITTY	09/03/07
CHECKED		
APPROVALS		

PART NO. 007-01-00461/00462 007-01-00474/00475		
TITLE: SATA 7P SOCKET 180° NO ASSEMBLY SPRING		
SIZE mm	SCALE : 1 : 1	DRAWING NO. 000524
ID NO	XXXXXXXXXX	REV. B
		SHEET 1 OF 1

DESCRIPTION

NO	DESCRIPTION	QTY	UNIT	DO NOT SCALE DRAWING