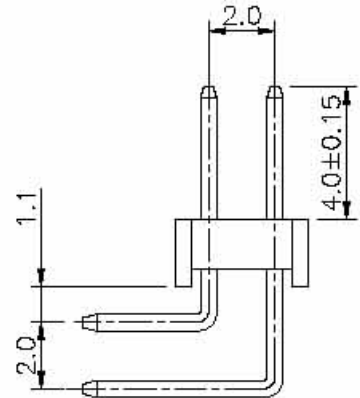
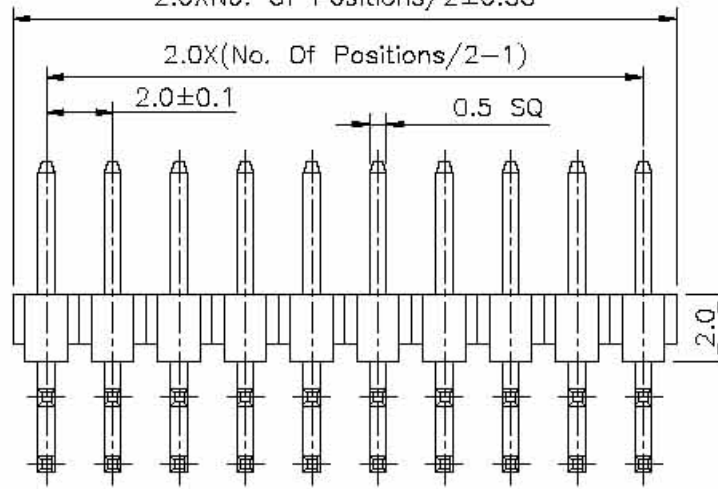


$2.0 \times \text{No. Of Positions} / 2 \pm 0.38$



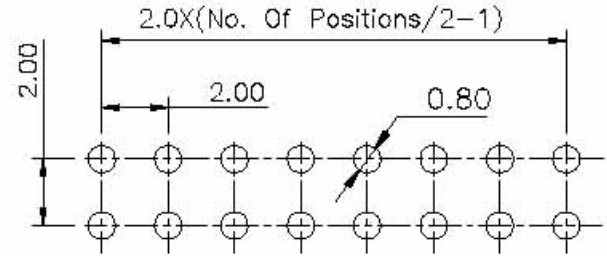
Specifications:

Current rating: 2.0A AC/DC
 Voltage rating: 250V AC/DC
 Contact resistance: 20m ohm max.
 Withstanding Voltage: 500V AC/minute
 Insulation resistance: 1000M ohm min.
 Temperature Rating: -40°C ~ +105°C
 Materials:

Insulator: High Temp Plastic (PBT UL94V-0)
 Color: Black
 Contact: Copper Alloy
 Plating: Gold Plated

How To Order
 2208R-XXG

G: Gold Plated
 No. Of Positions
 Right Angle



PCB Layout

RoHS Compliant

F				DRAWN:	GENERAL TOLERANCE:			
E				Cel King	.X = ±0.20			
D				CHECKED:	.XX = ±0.15			
C				Jeremy Liu	UNIT: MM	DESCRIPTION:	SIZE	
B				APPROVAL:	SCALE: 1:1	2.0mm Pin Header Right Angle Type	A4	
A	09-Nov-2005	(PC0001)	Cel King	Mike Wu	SHEET: 1 / 1	PART NO:		
REV	DATE	FILE	BY		PROJECTION:	2208R-XXG		