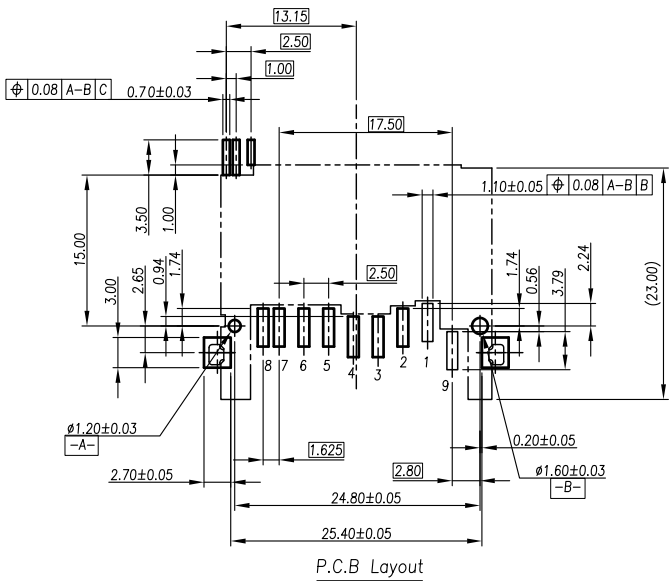
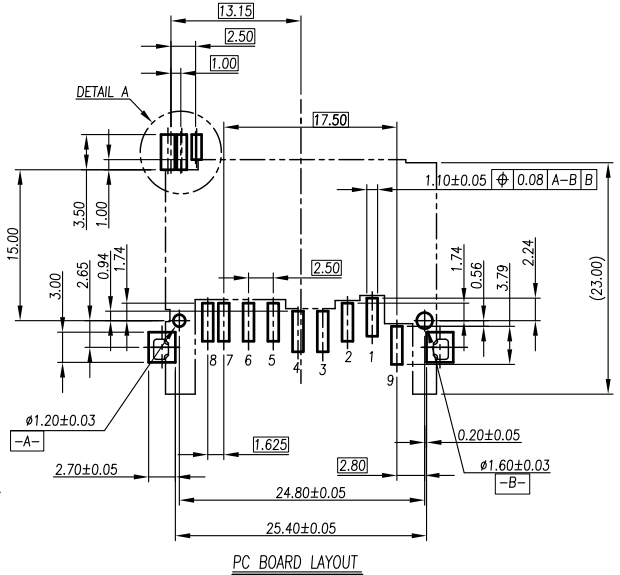
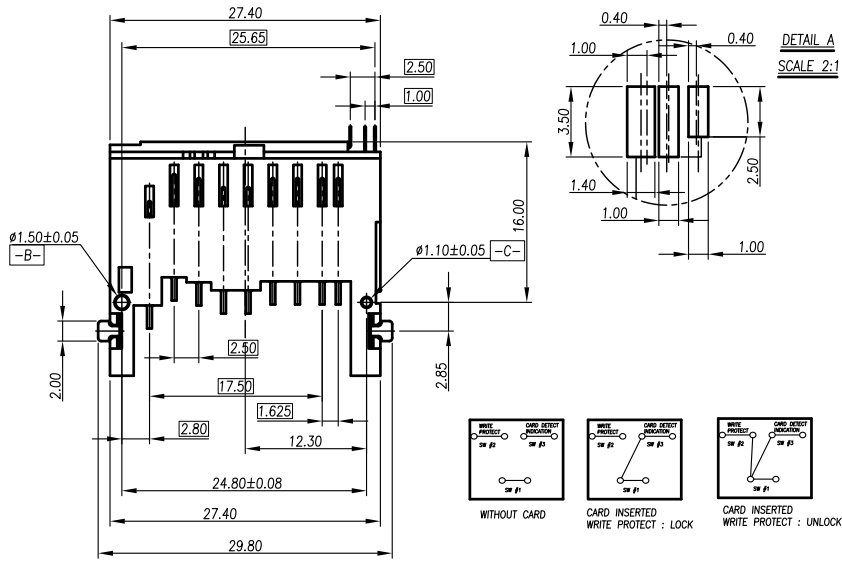
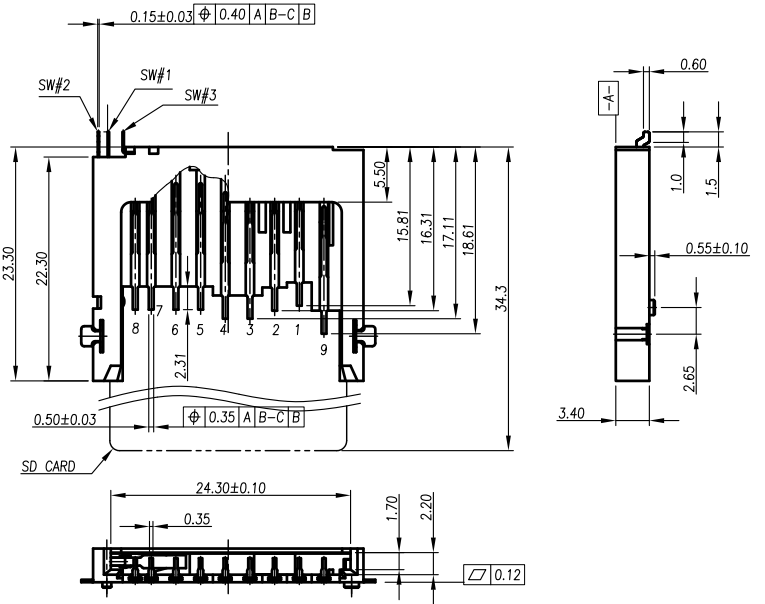
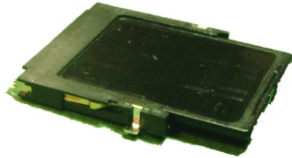
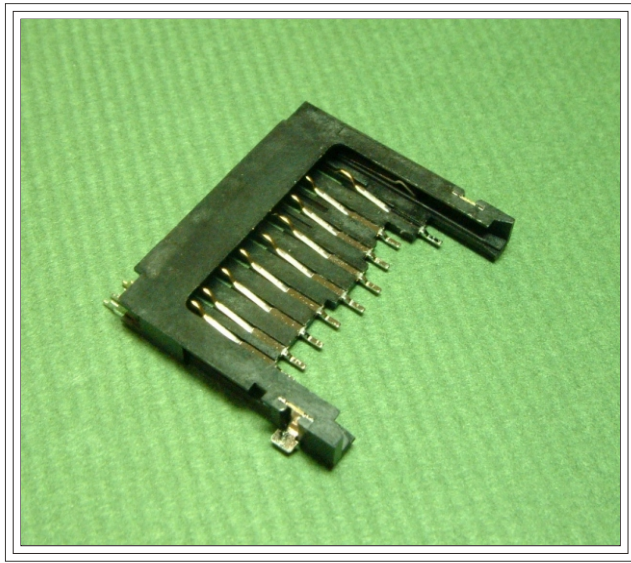


# Secure Digital Card Connector Without Cover Type

TL9000 IECQ TL9000 IECQ TL9000 IECQ TL9000 IECQ TL9000 IECQ TL9000 IECQ TL9000 IECQ TL9000 IECQ TL9000

Part No:

## SDAMB-01215B000



### Specification:

- Withstanding Voltage: 500V AC Max for 1 Minute
- Insulation Resistance: 1,000 M Ohms
- Voltage Rating: 250V AC
- Current Rating: 0.5A AC/DC Max
- Contact Resistance: 40M Ohms Max
- Operating Temperature: -25 C ~ +85 C
- Insertion Cycles: 10,000 Times

### Application:

For Secure Digital  
And Multi Media Card Use

### Material And Finish:

- Contact: Copper Alloy
- Housing: LCP, Glass Fiber