

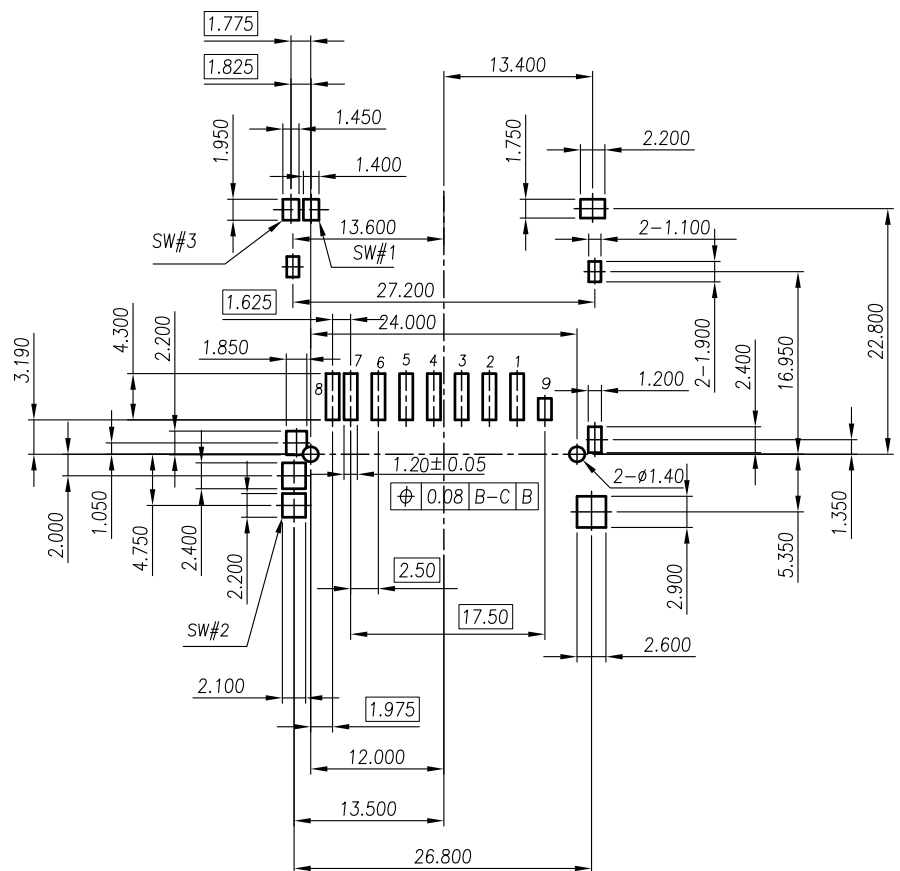
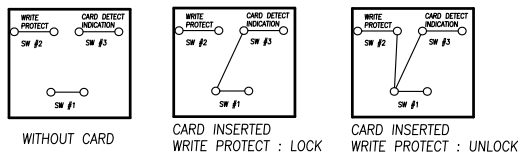
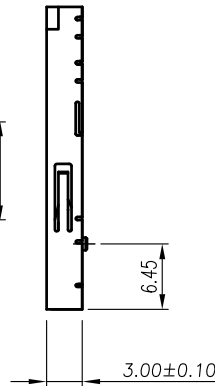
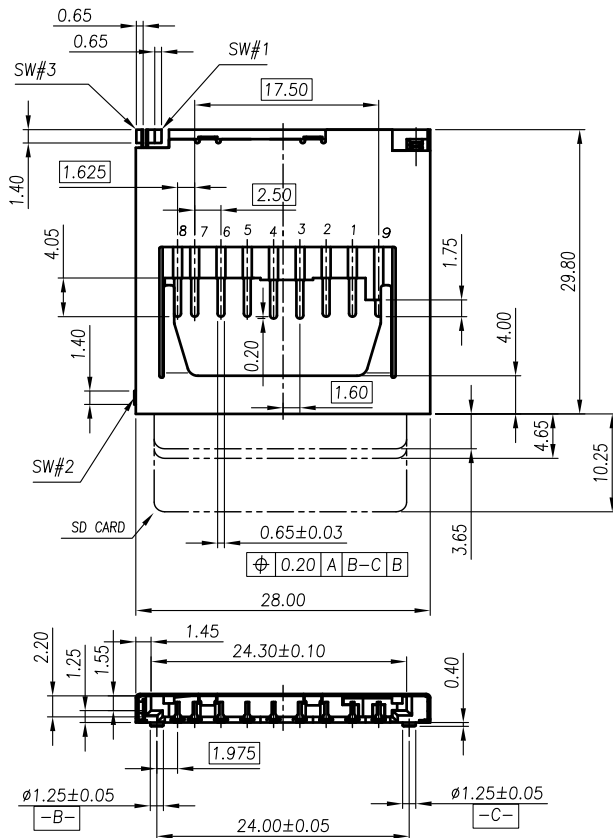
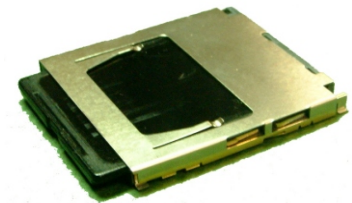
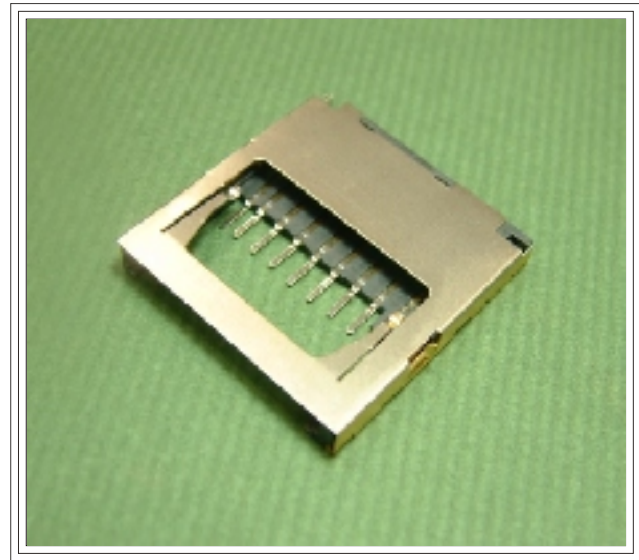
Secure Digital Card Connector

Push-in / Push-Out Type

TL9000 IECQ TL9000 IECQ TL9000 IECQ TL9000 IECQ TL9000 IECQ TL9000 IECQ TL9000 IECQ TL9000 IECQ TL9000

Part No:

SDBMF-00915B000



P.C.B. Layout

Specification:

- Withstanding Voltage: 500VAC Max for 1 Minute
- Insulation Resistance: 1,000 M Ohms
- Voltage Rating: 250VAC
- Current Rating: 0.5A AC/DC Max
- Contact Resistance: 40M Ohms Max
- Operating Temperature: -25 C ~ +85 C
- Insertion Cycles: 10,000 Times

Application:

For Secure Digital And Multi Media Card Use

Material And Finish:

- Contact: Phosphor Bronze
- Tin/Lead 100 at Solder Tail
- Contact Area Gold Plating 15
- Cover: Brass, Nickle Plating For All
- Housing: LCP, Glass Fiber