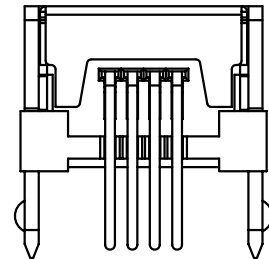
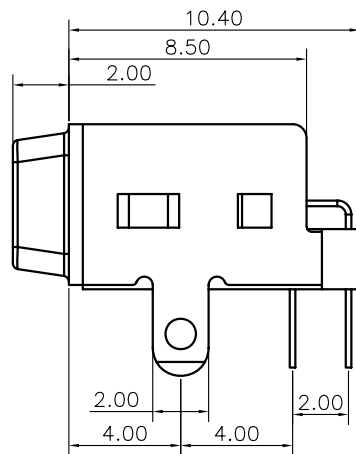
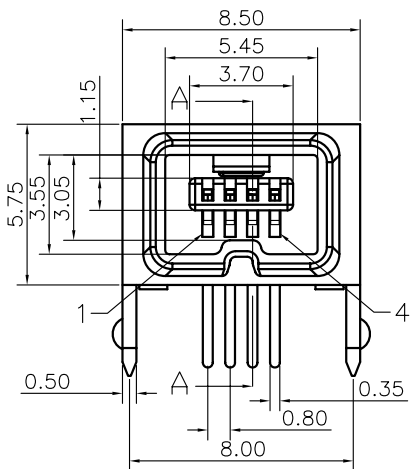


Section A-A



Specifications:

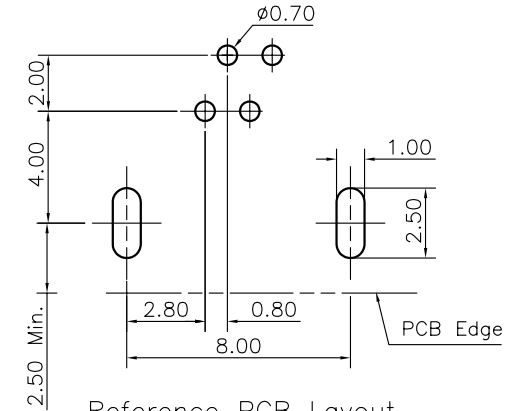
Current Rating:1.0A AC/DC
 Voltage Rating:30V AC/DC
 Contact Resistance:20m ohm. Max.
 Insulation Resistance:1000M ohm. Min.
 Withstanding Voltage:750V AC For One Minute
 Operating Temperature Range:-40°C ~ +105°C
 Material and Finish

Insulator:High Temp. Plastic (PBT UL94V-0)
 Contact Material:Copper Alloy
 Contact Plated:Selective Gold Plated
 Shell:Metal Iron With Nickel Plated

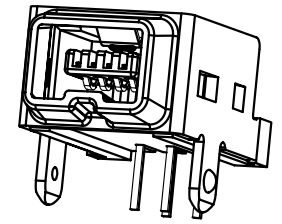
How to Order

1394R-04-F1

Lead Free
 No. Of Positions
 R:Right Angle



Reference PCB Layout



RoHS Compliant

				DRAWN: Jerry Chen	GENERAL TOLERANCE: .X ±0.2 .XX ±0.15		
E				CHECKED: Jeremy Liu	UNIT: MM	DESCRIPTION: IEEE 1394 Female 4P R/A Type	SIZE A4
D					SCALE:		
C				APPROVAL: Mike Wu	SHEET: 1 / 1	PART NO: 1394R-04-F1	
B					PROJECTION:		
A	16-Sep-2005	(PC0052)	Cel king				
REV	DATE	FILE	BY				