

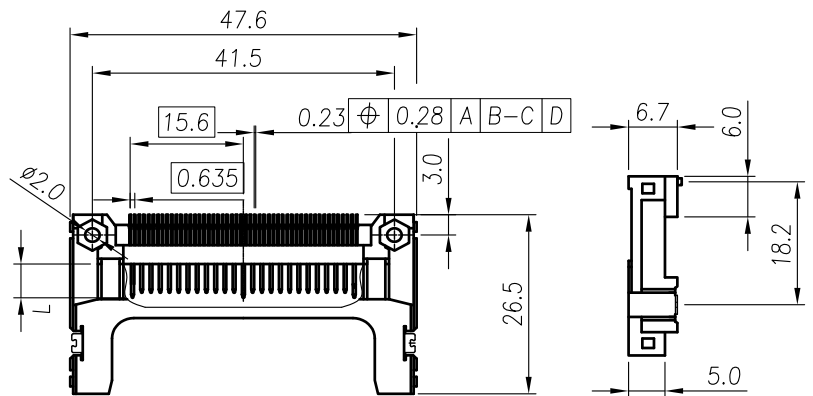
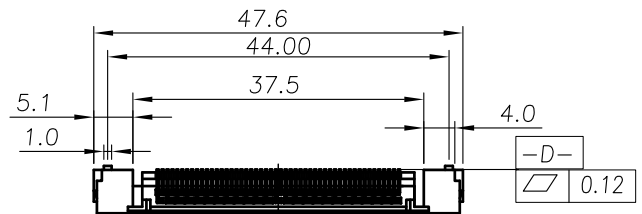
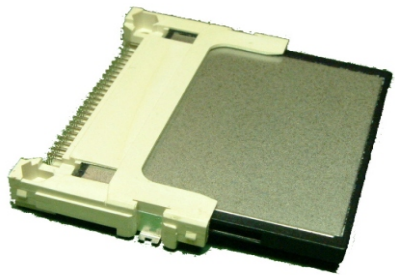
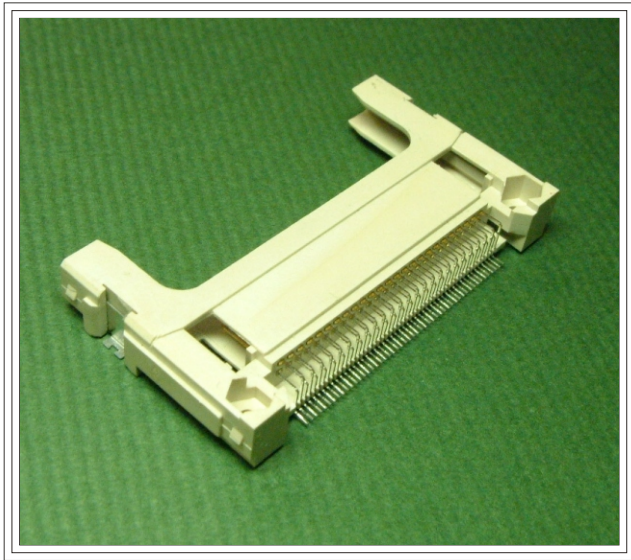
Compact Flash Type I Card Connector

Stand Off 1.7mm Version

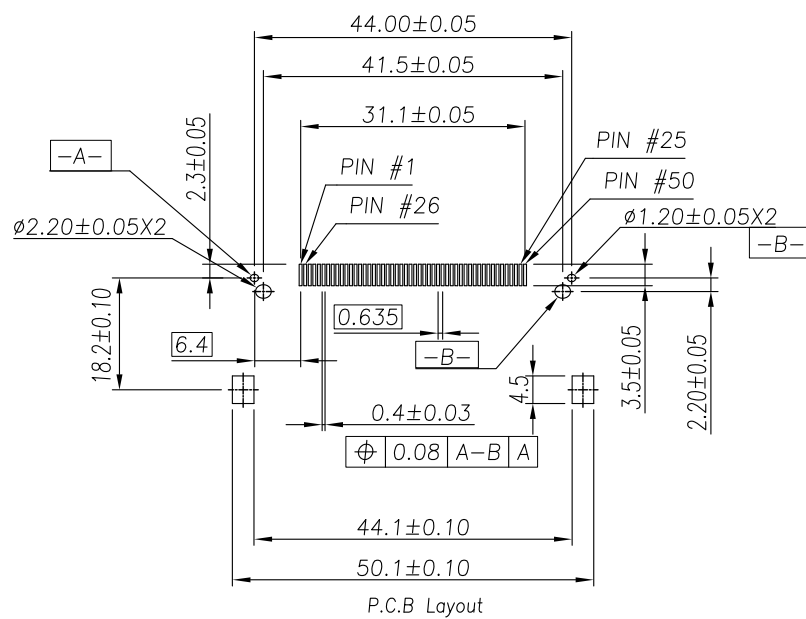
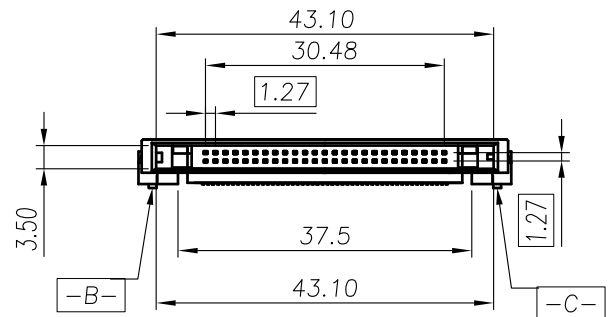
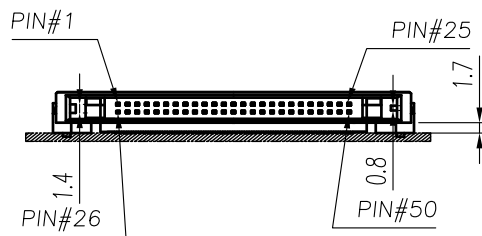
TL9000 IECQ TL9000 IECQ TL9000 IECQ TL9000 IECQ TL9000 IECQ TL9000 IECQ TL9000 IECQ TL9000 IECQ TL9000

Part No:

CFCMD-15015W000



Pin Type	Interface Dim L	Pin Type
Detect	3.5 mm	25,26
General	4.25 mm	All Other Pins
Power	5.0 mm	1,13,38,50



Specification:

Withstanding Voltage: 500V AC Max for 1 Minute
 Insulation Resistance: 1,000 M Ohms
 Voltage Rating: 100VAC
 Current Rating: 0.5A AC/DC Max
 Contact Resistance: 40M Ohms Max
 Operating Temperature: -40 C ~ +85 C
 Insertion Cycles: 10,000 Times

Application:

For CompactFlash Type I Card Use Only

Material And Finish

Contact Area Gold Plating 15 :
 Contact: Copper Alloy
 Housing: LCP, Glass Fiber (UL 94V-0)