

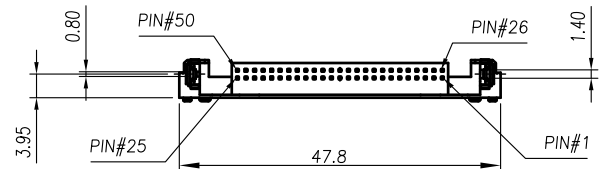
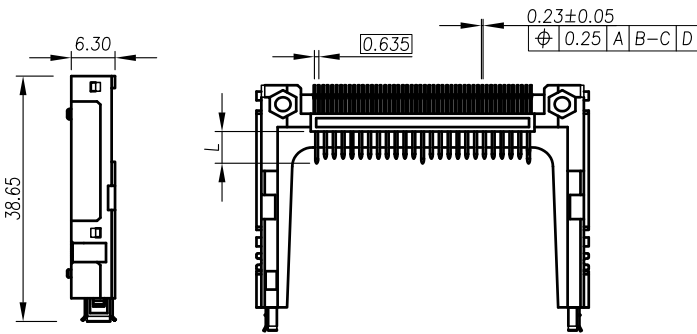
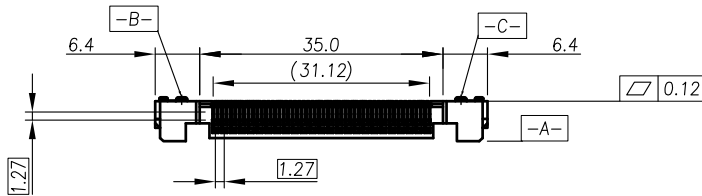
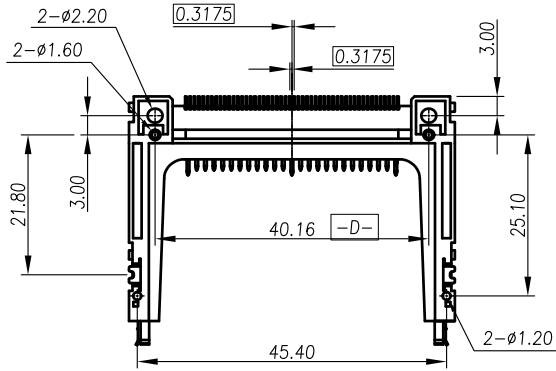
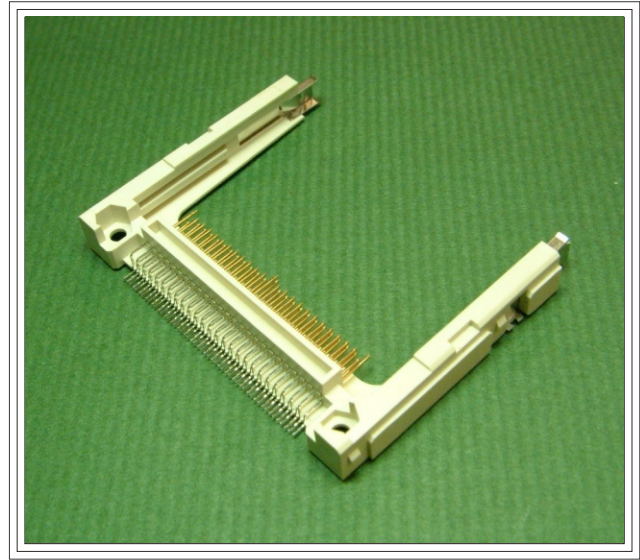
Compact Flash Type I, II Card Connector

Reverse Version

TL9000 IECQ TL9000 IECQ TL9000 IECQ TL9000 IECQ TL9000 IECQ TL9000 IECQ TL9000 IECQ TL9000 IECQ TL9000

Part No:

CFCMD-35015W010



Pin Type	Interface Dim L	Pin Type
Detect	3.5 mm	25,26
General	4.25 mm	All Other Pins
Power	5.0 mm	1,13,38,50

Specification:

Withstanding Voltage: 500VAC Max for 1 Minute
 Insulation Resistance: 1,000 M Ohms
 Voltage Rating: 100VAC
 Current Rating: 0.5A AC/DC Max
 Contact Resistance: 40M Ohms Max
 Operating Temperature: -40 C ~ +85 C
 Insertion Cycles: 10,000 Times

Application:

For Compact Flash Type I And Type II Card Use

Material And Finish:

Contact Area Gold Plating 15
 Contact: Copper Alloy
 Housing: LCP, Glass Fiber (UL 94V-0)

