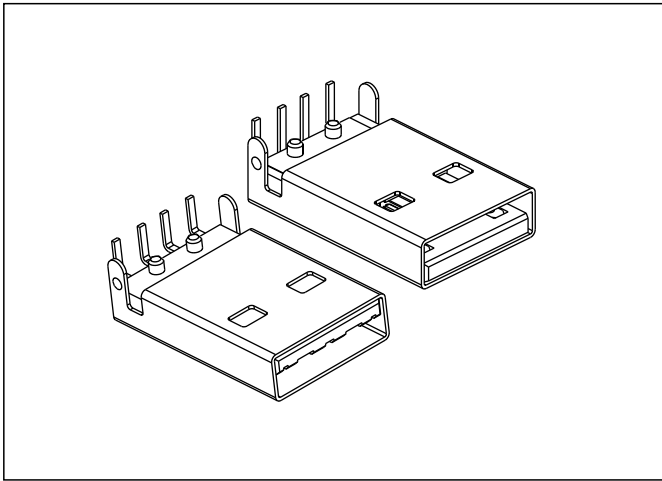


USB A Male R/A Standard & Reverse Type

5075ARP Series

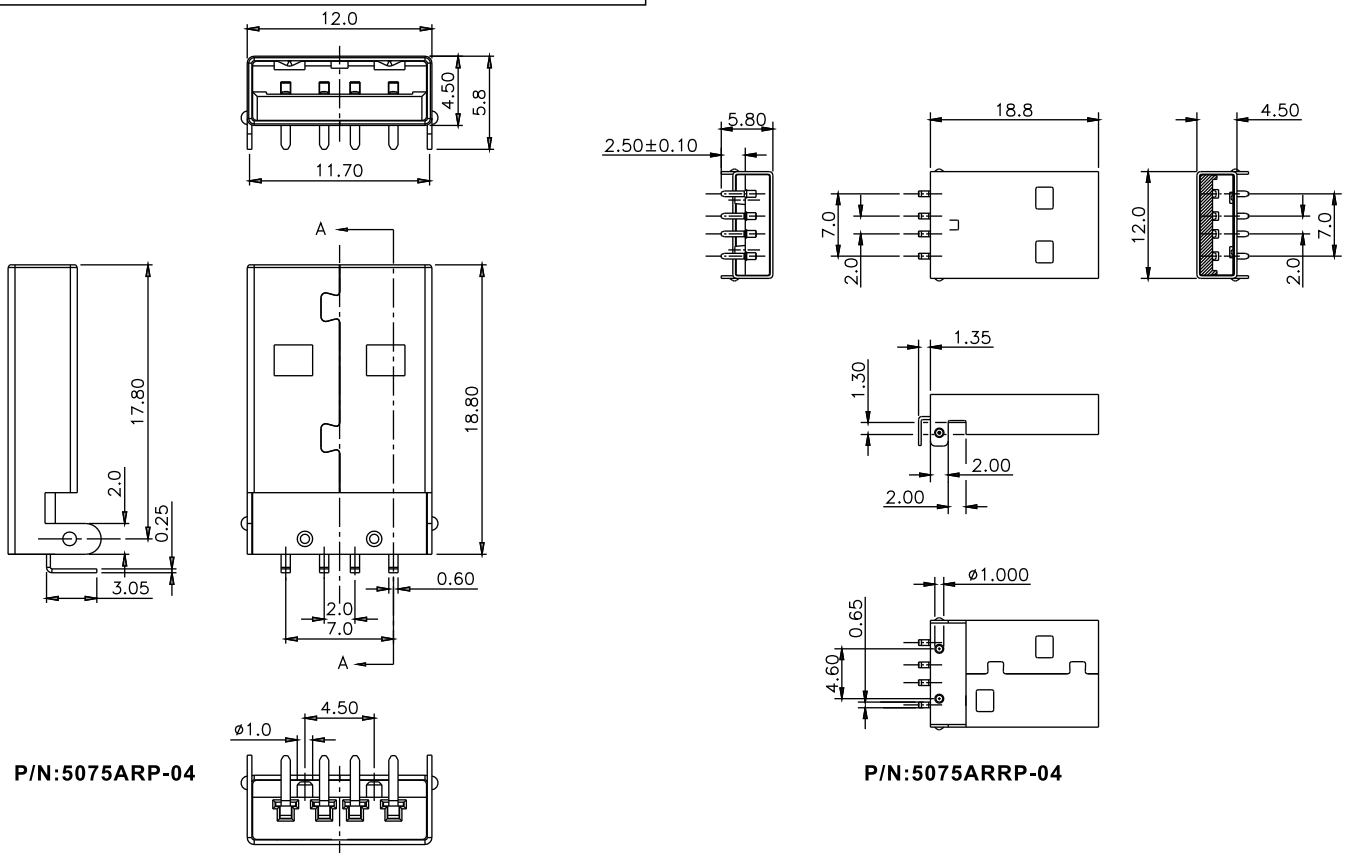


Specifications

- Current rating: 1.0AAC/DC
- Voltage rating: 30V AC/DC
- Contact resistance: 20m ohm. max.
- Insulation resistance: 1000M ohm. Min.
- Withstanding voltage: 750V AC for one minute
- Operating temperature range: -40°C to +105°C

Material and Finish

- Insulator: High Temp. Plastic (UL94V-0)
- Contact: Copper Alloy
- Plating: Selective Gold Plated



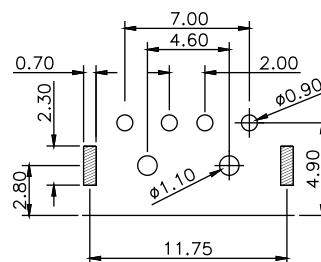
Ordering Information

5075ARP-04

① ②

① ARP:A Type Male ARRP:A Type Male (Reverse)	② No. Of Contacts
--	-------------------

Recommended PCB Layout



Unit:mm