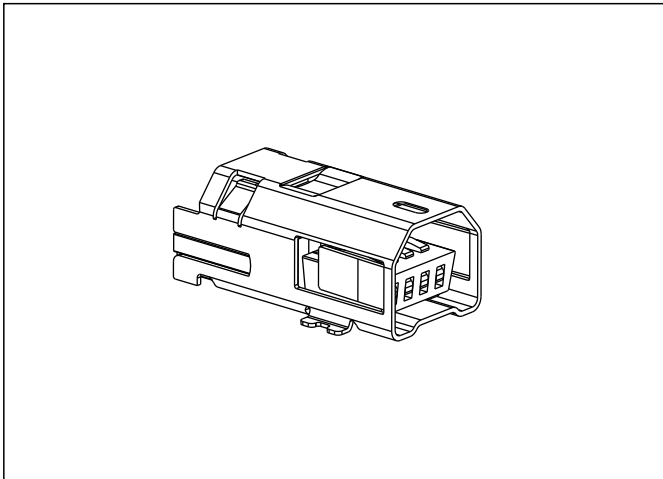


# Mini USB 4 Pin Female SMD B Type

5075BMR Series

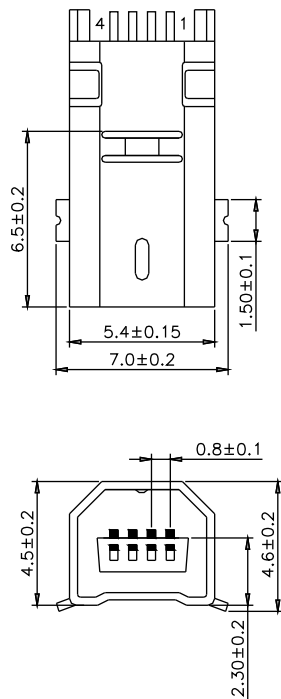


## Specifications

Current rating: 1.0A AC/DC  
 Voltage rating: 30V AC/DC  
 Contact resistance: 20m ohm. max.  
 Insulation resistance: 1000M ohm. Min.  
 Withstanding voltage: 750V AC for one minute  
 Operating temperature range: -40°C to +105°C

## Material and Finish

Insulator: High Temp. Plastic (UL94V-0)  
 Contact: Copper Alloy  
 Plating: Selective Gold Plated



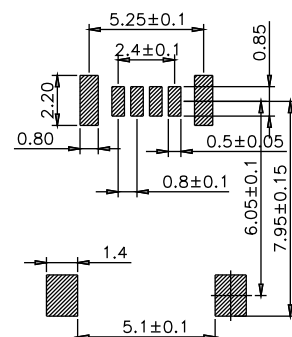
## Ordering Information

**5075BMR-04-SM**

①    ②    ③

① Mini USB B Type	② No. Of Contacts	③ SMD Type
-------------------	-------------------	------------

## Recommended PCB Layout



Unit:mm