

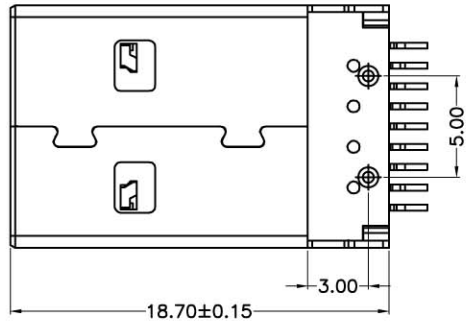
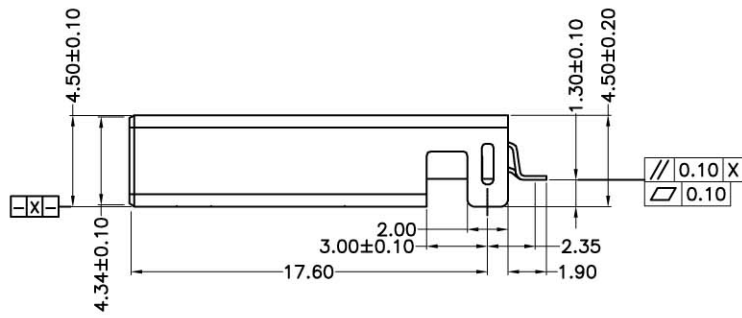
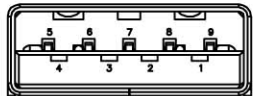
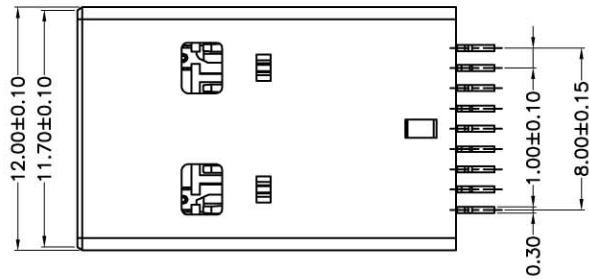
1

2

3

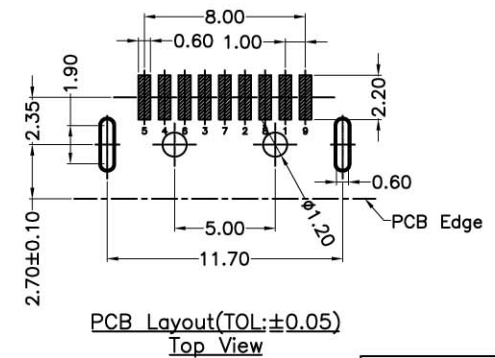
4

5



Specifications:  
 Current Rating:  
 1.8A for VBUS and GND Contacts  
 0.25A for all other Contacts  
 Low Level Contact Resistance:30m ohm. Max.  
 30m ohm(max) initial for VBUS and GND Contacts  
 50m ohm(max) initial for all other Contacts  
 Insulation Resistance:100M ohm. Min.  
 Withstanding Voltage:AC 500V r.m.s  
 Operating Temperature Range:-30°C To +85°C  
 Materials:  
 Insulator:PBT (UL94V-0)  
 Insulator Color:Blue  
 Contact:Copper Alloy  
 Plating:Gold Plated on Contact Area,  
 Tin Plated on Solder Tail.  
 Shell:Copper Alloy  
 Plating:Nickel Plated  
 How to order  
 5076ARP-09-SM

— SMD Type  
 — No of positions  
 — P:Plug  
 — Receptacle  
 — A Type



RoHS Compliant

				DRAWN: Richie	GENERAL TOLERANCE: .X=±0.20 .XX=±0.15		
				CHECKED: Jeremy Liu	UNIT: MM	DESCRIPTION: USB 3.0 R/A Type Male Board Cut SMT	SIZE <b>A4</b>
C				APPROVAL: Mike Wu	SCALE:1:1	PART NO: 5076ARP-09-SM	
B					SHEET: 1 / 1		
A	08-Jul-2009	(PC0052)	Richie		PROJECTION:		
REV	DATE	FILE	BY				