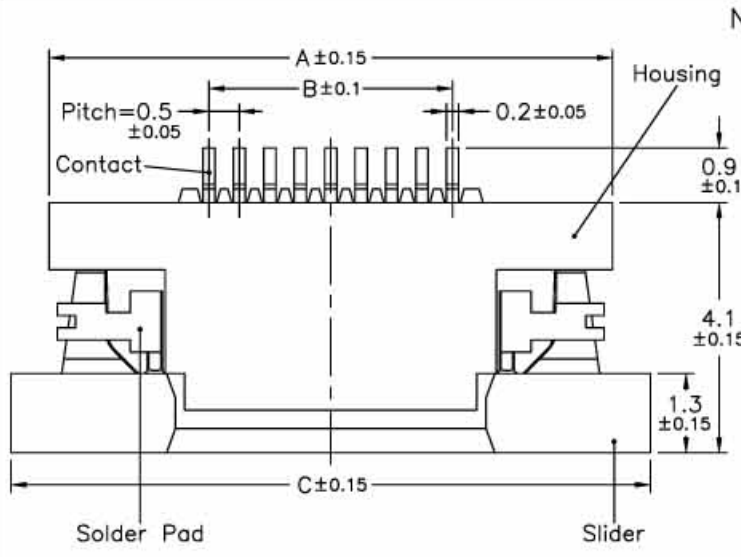
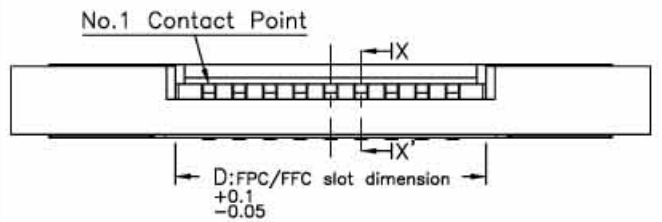


REV.	ECN NO.	DATE
A	RELEASED	10/9/2003
B	405001	5/10/2004

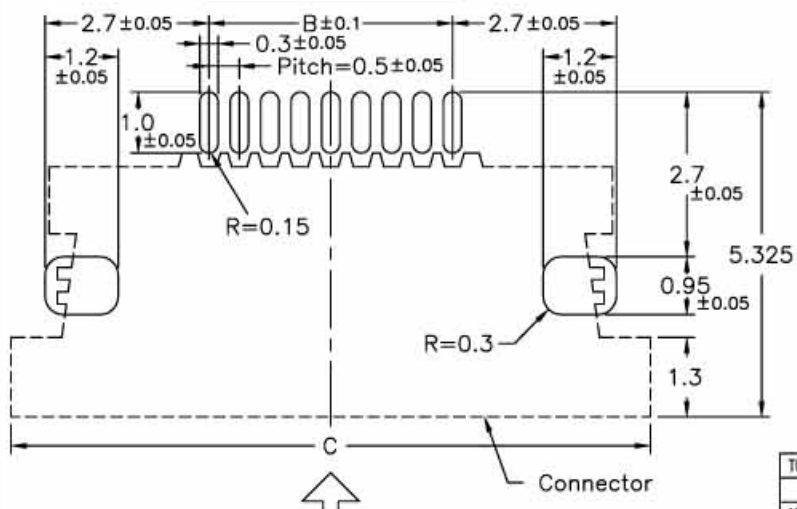


NOTE:
 1.MATERIAL:
 HOUSING:THERMOPLASTIC
 SLIDER:THERMOPLASTIC
 CONTACTS:COPPER ALLOY
 SOLDER PAD:COPPER ALLOY
 2.PLATING:
 CONTACTS:SEE ORDERING INFORMATION
 SOLDER PAD:SEE ORDERING INFORMATION
 3.PART NO.:
 BL114-xx RU -xx xx
 SERIES NO. OF CONTACTS
 4.RATING:
 OPERATING VOLTAGE:50V
 CURRENT RATING:0.4A
 OPERATING TEMPERATURE:-55°C ~ +85°C

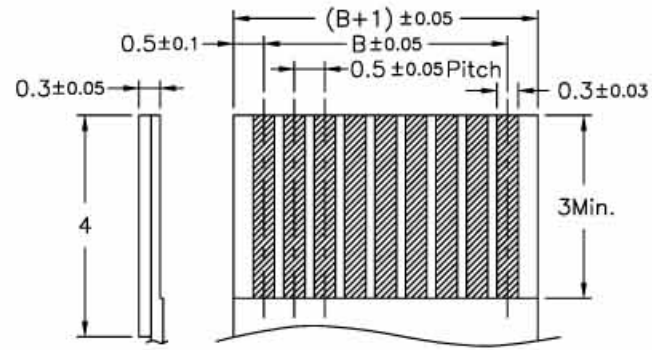
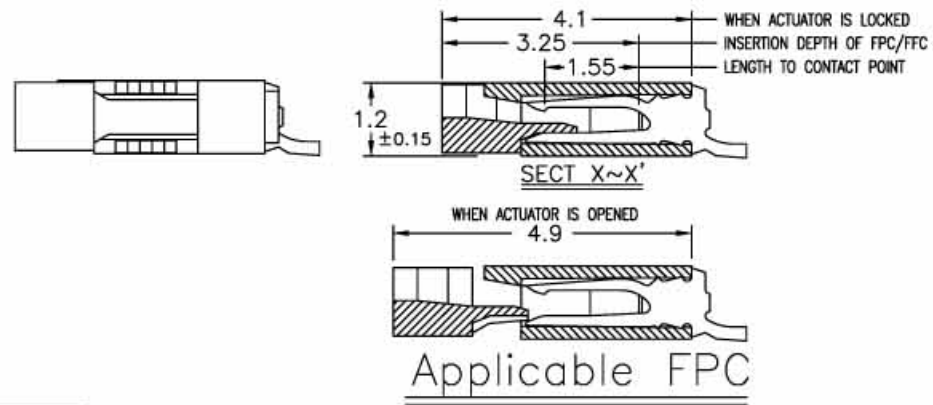
No.of Contacts	Part Number	DIM. A	DIM. B	DIM. C	DIM. D
4	BL114-4RU	6.75	1.5	8	2.6
5	BL114-5RU	7.25	2	8.5	3.1
6	BL114-6RU	7.75	2.5	9	3.6
7	BL114-7RU	8.25	3	9.5	4.1
8	BL114-8RU	8.75	3.5	10	4.6
9	BL114-9RU	9.25	4	10.5	5.1
10	BL114-10RU	9.75	4.5	11	5.6
11	BL114-11RU	10.25	5	11.5	6.1
12	BL114-12RU	10.75	5.5	12	6.6
13	BL114-13RU	11.25	6	12.5	7.1
14	BL114-14RU	11.75	6.5	13	7.6
15	BL114-15RU	12.25	7	13.5	8.1
16	BL114-16RU	12.75	7.5	14	8.6
17	BL114-17RU	13.25	8	14.5	9.1
18	BL114-18RU	13.75	8.5	15	9.6
19	BL114-19RU	14.25	9	15.5	10.1
20	BL114-20RU	14.75	9.5	16	10.6
21	BL114-21RU	15.25	10	16.5	11.1
22	BL114-22RU	15.75	10.5	17	11.6
23	BL114-23RU	16.25	11	17.5	12.1
24	BL114-24RU	16.75	11.5	18	12.6
25	BL114-25RU	17.25	12	18.5	13.1
26	BL114-26RU	17.75	12.5	19	13.6
27	BL114-27RU	18.25	13	19.5	14.1
28	BL114-28RU	18.75	13.5	20	14.6
29	BL114-29RU	19.25	14	20.5	15.1
30	BL114-30RU	19.75	14.5	21	15.6
31	BL114-31RU	20.25	15	21.5	16.1
32	BL114-32RU	20.75	15.5	22	16.6
33	BL114-33RU	21.25	16	22.5	17.1
34	BL114-34RU	21.75	16.5	23	17.6
35	BL114-35RU	22.25	17	23.5	18.1
36	BL114-36RU	22.75	17.5	24	18.6
37	BL114-37RU	23.25	18	24.5	19.1
38	BL114-38RU	23.75	18.5	25	19.6
39	BL114-39RU	24.25	19	25.5	20.1
40	BL114-40RU	24.75	19.5	26	20.6
41	BL114-41RU	25.25	20	26.5	21.1
42	BL114-42RU	25.75	20.5	27	21.6
43	BL114-43RU	26.25	21	27.5	22.1
44	BL114-44RU	26.75	21.5	28	22.6
45	BL114-45RU	27.25	22	28.5	23.1
46	BL114-46RU	27.75	22.5	29	23.6
47	BL114-47RU	28.25	23	29.5	24.1
48	BL114-48RU	28.75	23.5	30	24.6
49	BL114-49RU	29.25	24	30.5	25.1
50	BL114-50RU	29.75	24.5	31	25.6



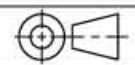
PCB Layout



FPC/FFC INSERT DIRECTION



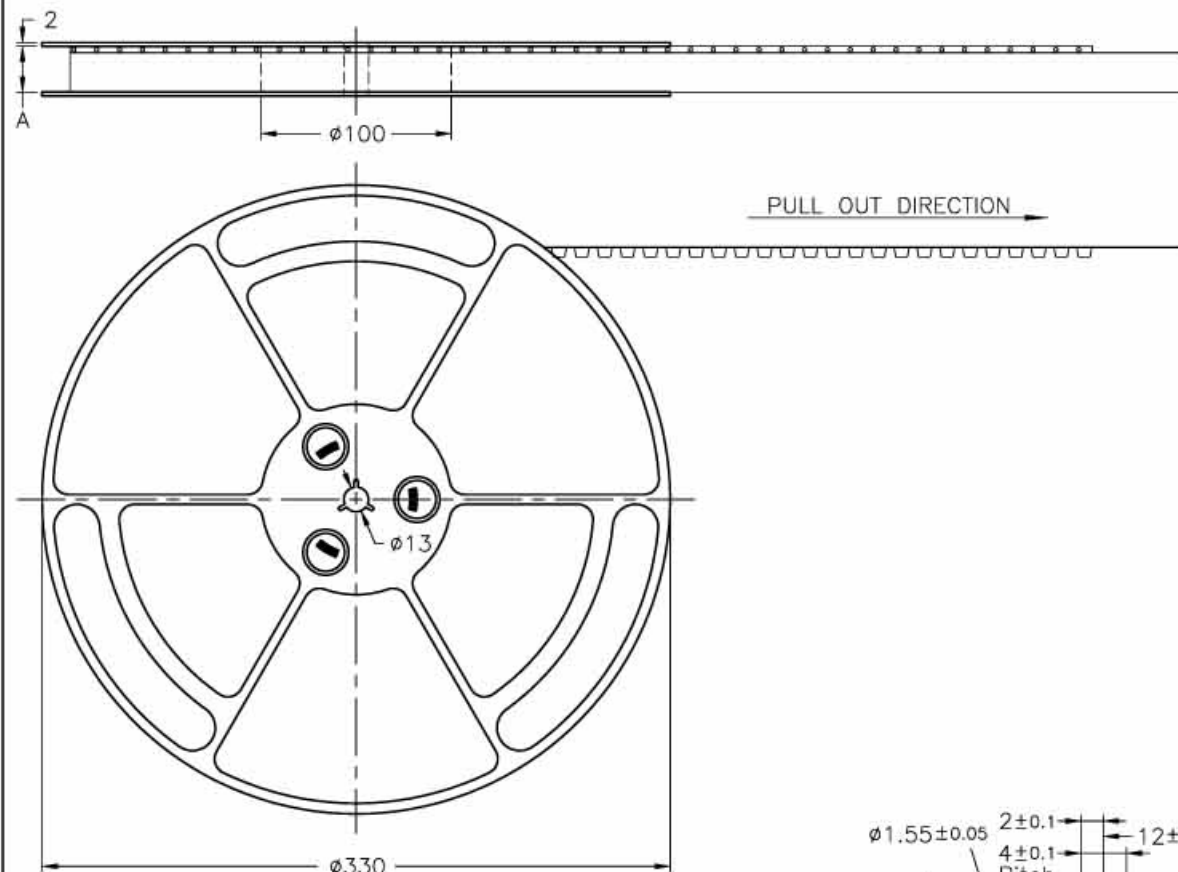
TOLERANCE UNLESS SPECIFIED		REV.	B	DR. BY	MATERIAL
LINEAR	ANGLE	SHEET	2/3	Bonnie Li	See Note 1.
.X ±0.2	.X°	SCALE	8/1	CHK. BY S.T.LIN	FINISH See Note 2.
.XX ±0.15	.X'	UNIT	mm	APP. BY S.T.LIN	DATE 5/10/2004
.XXX ±0.05					PART NO. See Note 3.



TITLE 0.5mm Pitch FPC/FFC Connector
 DWG NO. D/BOOK/BOOK/BL114/HP

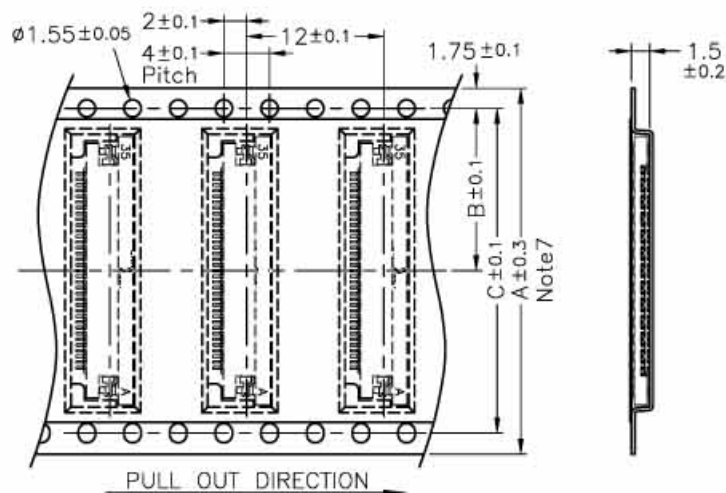
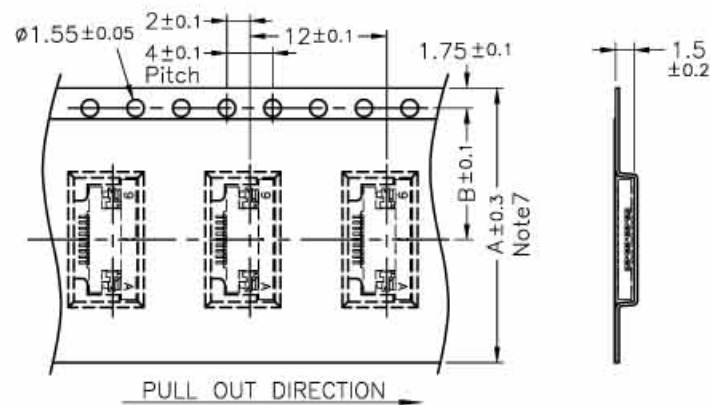
EMBOSSED TAPE PACKING BL114 SERIES RIGHT ANGLE TYPE

REV.	ECN NO.	DATE
A	RELEASED	10/9/2003



Note:

- 1.10 sprocket hole pitch cumulative tolerance ± 0.2 .
2. Carrier camber is within 1 mm in 100mm.
3. Material : Black Conductive Polystyrene Alloy
100% recyclable.
4. All dimensions meet EIA-481-3 requirements.
5. Thickness : 0.3 ± 0.05 mm.
6. Component load per 13" reel : 3000 pcs.
7. For tape width (dimension A) 16mm and 24mm a pilot hole is provided on one side.
For tape width (dimension A) 32mm and 44mm pilot holes are provided on both sides.



Note7

No. of Contacts	Part Number	DIM. A	DIM. B	DIM. C
4	BL114-4RL BL114-4RU	16	7.5	—
6	BL114-6RL BL114-6RU			
7	BL114-7RL BL114-7RU	24	11.5	—
22	BL114-22RL BL114-22RU			
23	BL114-23RL BL114-23RU	32	14.2	28.4
33	BL114-33RL BL114-33RU			
34	BL114-34RL BL114-34RU	44	20.2	40.4
50	BL114-50RL BL114-50RU			

TOLERANCE UNLESS SPECIFIED		REV.	A	DR. BY	Bonnie Li	MATERIAL	See Note3
LINEAR	ANGLE	SHEET	3/3	CHK. BY	S.T.LIN	FINISH	
.X	.X	SCALE		APP. BY	S.T.LIN	DATE	10/9/2003
.XX	.X	UNIT	mm			PART NO.	BL114-xxRU&RL
.XXX							



TITLE 0.5mm Pitch FPC/FFC Connector
DWC NO. D/BOOK/BOOK/BL114/HP