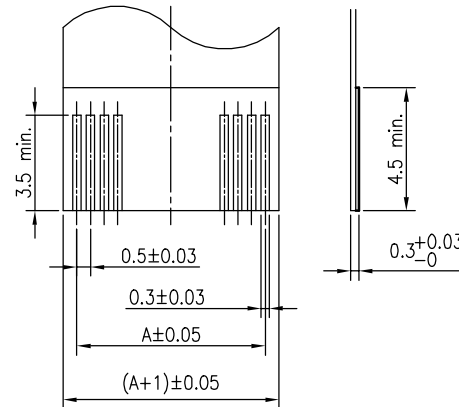
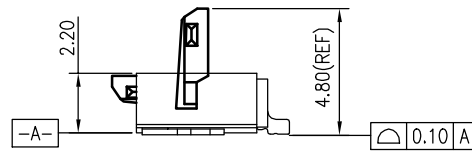
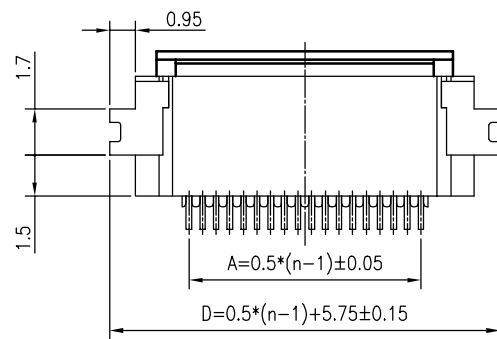
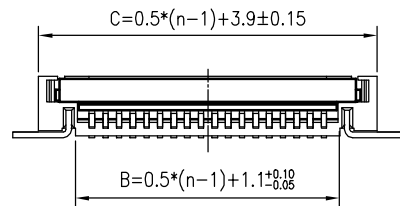


Connector outline
Recommended PCB layout
component side



Applicable FPC/FFC
recommended dimension

MATERIAL

HOUSING: LCP, UL94V-0, COLOR: NATURAL.
COVER: LCP, UL94V-0, COLOR: BLACK.
CONTACT: PHOSPHOR BRONZE.
PLATING: ALL TIN, LEAD FREE, OR ALL GOLD.
HOLDDOWN: BRASS. PLATING: ALL TIN, LEAD FREE, OR ALL GOLD.

ELECTRICAL

VOLTAGE: 50V MAX.
CURRENT: 0.4A MAX.
DIELECTRIC WITHSTANDING VOLTAGE: 250 VAC.
INSULATION RESISTANCE: 50 MEGAOHMS MIN.
CONTACT RESISTANCE: 20 MILLIOHMS MAX.

ENVIRONMENTAL

TEMPERATURE RANGE: -20°C TO 85°C.

FEATURE AND SPECIFICATIONS

SIZES 63 TO 80 PIN.
FOR 0.3mm THICKNESS FFC/FPC.

PART NO.

FP 1 2 4 - XX X 4
A B C D E F G

A FP : FPC ZIF SMT TYPE PIERCE SERIES

B 1 : 0.5 mm PITCH

C 2 : BODY HIGH 2.0 mm

D 4 : SIDE ENTRY, LOWER CONTACT

E XX : NO. OF CONTACTS 51 - 80 PIN

F X : PLATING

M : TERMINAL AND HOLDDOWN ALL TIN, LEAD FREE (MATTED)

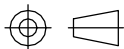
G : TERMINAL AND HOLDDOWN ALL GOLD 1u"

GM : TERMINAL ALL GOLD 1u", HOLDDOWN ALL TIN, LEAD FREE (MATTED)

G 4 : REEL PACKAGING

				TOLERANCE				TITLE: FFC/FPC 0.5 PITCH CONNECTOR, ZIF SMT TYPE, BODY HIGH 2.0 mm.				
				LINEAR	ANGLES			PART NO. FP124-XXX4				
				X±0.40	X°.±1°	APPD:	Jason	MAT'L:	DWG NO. FP1207001			
A0		Terry	Mar,24,2008	.X±0.30	.X°±0.5°	CHKD:	Schumi	FINISH:	UNITS	SCALE	SHEET	REV
A	07084	Terry	Dec,13,2007	.XX±0.20	.XX°±0.25°	DRWN:	Terry	Q'TY:	MM	1 : 1	1 OF 1	A0
REV	ECN NO.	NAME	DATE	.XXX±0.10	.XXX°±0.10°							

Pin	Part Number	Dimension					Pin	Part Number	Dimension				
		A	B	C	D	E			A	B	C	D	E
51	FP124-51X4	25.00	26.10	28.90	30.75	28.20	66	FP124-66X4	32.50	33.60	36.40	38.25	35.70
52	FP124-52X4	25.50	26.60	29.40	31.25	28.70	67	FP124-67X4	33.00	34.10	36.90	38.75	36.20
53	FP124-53X4	26.00	27.10	29.90	31.75	29.20	68	FP124-68X4	33.50	34.60	37.40	39.25	36.70
54	FP124-54X4	26.50	27.60	30.40	32.25	29.70	69	FP124-69X4	34.00	35.10	37.90	39.75	37.20
55	FP124-55X4	27.00	28.10	30.90	32.75	30.20	70	FP124-70X4	34.50	35.60	38.40	40.25	37.70
56	FP124-56X4	27.50	28.60	31.40	33.25	30.70	71	FP124-71X4	35.00	36.10	38.90	40.75	38.20
57	FP124-57X4	28.00	29.10	31.90	33.75	31.20	72	FP124-72X4	35.50	36.60	39.40	41.25	38.70
58	FP124-58X4	28.50	29.60	32.40	34.25	31.70	73	FP124-73X4	36.00	37.10	39.90	41.75	39.20
59	FP124-59X4	29.00	30.10	32.90	34.75	32.20	74	FP124-74X4	36.50	37.60	40.40	42.25	39.70
60	FP124-60X4	29.50	30.60	33.40	35.25	32.70	75	FP124-75X4	37.00	38.10	40.90	42.75	40.20
61	FP124-61X4	30.00	31.10	33.90	35.75	33.20	76	FP124-76X4	37.50	38.60	41.40	43.25	40.70
62	FP124-62X4	30.50	31.60	34.40	36.25	33.70	77	FP124-77X4	38.00	39.10	41.90	43.75	41.20
63	FP124-63X4	31.00	32.10	34.90	36.75	34.20	78	FP124-78X4	38.50	39.60	42.40	44.25	41.70
64	FP124-64X4	31.50	32.60	35.40	37.25	34.70	79	FP124-79X4	39.00	40.10	42.90	44.75	42.20
65	FP124-65X4	32.00	33.10	35.90	37.75	35.20	80	FP124-80X4	39.50	40.60	43.40	45.25	42.70

				TOLERANCE					TITLE: FEC/FPC 0.5 PITCH CONNECTOR , ZIF SMT TYPE , BODY HIGH 2.0 mm.				
				LINEAR	ANGLES				PART NO. FP124-XXX4				
				X±0.40	X°.±1°				DWG NO. FP1207001				
A0		Terry	Mar,24,2008	.X±0.30	.X°±0.5°	APPD:	Jason	MAT'L:					
A	07084	Terry	Dec,13,2007	.XX±0.20	.XX°±0.25°	CHKD:	Schumi	FINISH:					
REV	ECN NO.	NAME	DATE	.XXX±0.10	.XXX°±0.10°	DRWN:	Terry	Q'TY:		UNITS	SCALE	SHEET	REV
									MM	1 : 1	1 OF 1	A0	