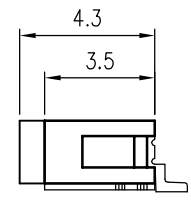
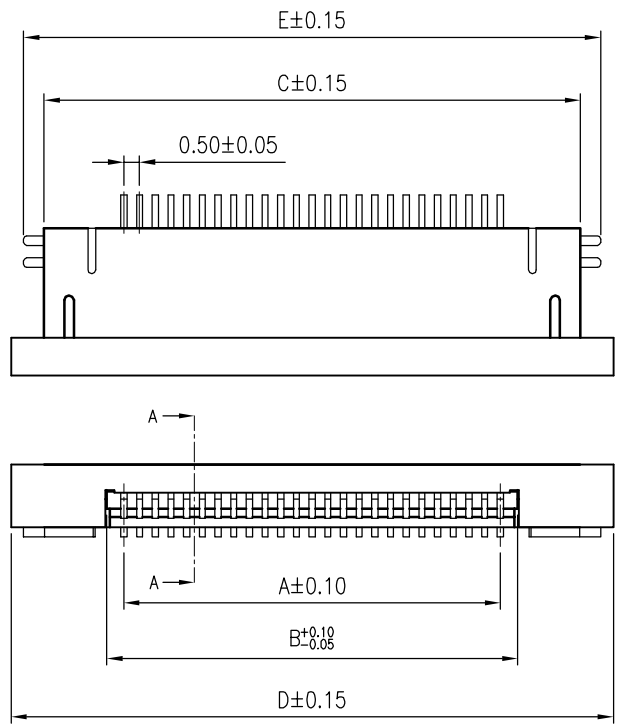
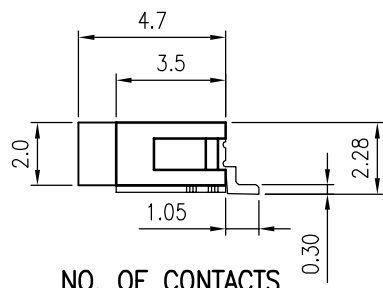


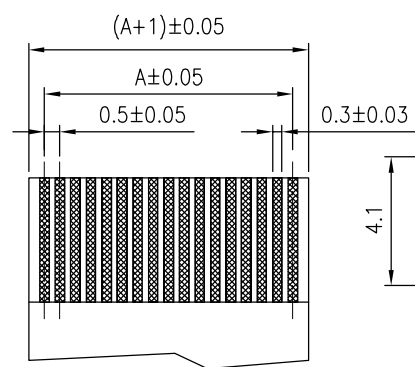
SECTION A-A



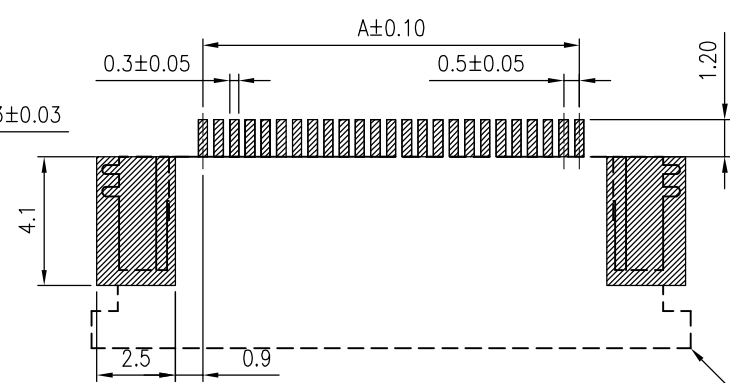
NO. OF CONTACTS  
3 PIN~30 PIN



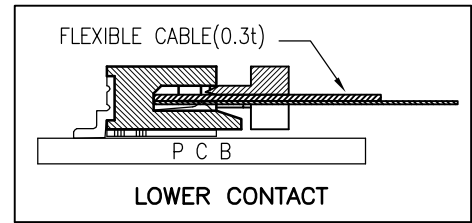
NO. OF CONTACTS  
31 PIN~61 PIN



FFC/FPC DIMENSION  
THICKNESS 0.30 mm



RECOMMENDED PCB LAYOUT



LOWER CONTACT

■ MATERIAL

HOUSING: HIGH-TEMP.  
ACTUATOR: HIGH-TEMP.  
CONTACT: PHOSPHOR BRONZE. PLATING: ALL TIN, LEAD FREE.  
HOLD-DOWN: BRASS. PLATING: ALL TIN, LEAD FREE.

■ ELECTRICAL

VOLTAGE: 50V MAX.  
CURRENT: 0.5A MAX.  
DIELECTRIC WITHSTANDING VOLTAGE: 250 VAC.  
INSULATION RESISTANCE: 50 MEGAOHMS MIN.  
CONTACT RESISTANCE: 20 MILLIOHMS MAX.

■ ENVIRONMENTAL

TEMPERATURE RANGE: -20°C TO 85°C.

■ FEATURE AND SPECIFICATIONS

SIZES 03 TO 61 PIN.  
FOR 0.3mm THICKNESS FFC/FPC.

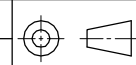
■ PART NO.

FZ 1 2 X - XX X  
① ② ③ ④ ⑤ ⑥

- ① FZ : FPC ZIF SMT SERIES
- ② 1 : 0.5 mm PITCH
- ③ 2 : BODY HIGH 2.0 mm
- ④ X : TYPE
  - 4: SIDE ENTRY , LOWER CONTACT (ALL TIN, LEAD FREE)
  - 8: SIDE ENTRY , LOWER CONTACT (ALL Gold 1u")
- ⑤ XX : NO. OF CONTACTS 03 - 61 PIN
- ⑥ X : PACKING
  - 2: TUBE
  - 4: REEL

SIDE ENTRY , LOWER CONTACT

|     |         |         |             | TOLERANCE |        |       |         | TITLE: FPC/FFC 0.5 PITCH CONNECTOR , ZIF SMT TYPE.<br>BODY HIGH 2.0 mm |       |       |        |     |
|-----|---------|---------|-------------|-----------|--------|-------|---------|--|-------|-------|--------|-----|
| F   |         | Willson | May.08.2006 | LINEAR    | ANGLES |       |         | PART NO. FZ12X-XXX   |       |       |        |     |
| E   |         | Willson | Jan.05.2006 | X.±0.20   | X*±    |       |         | DWG NO. FZ1207   |       |       |        |     |
| D   |         | Willson | Jul.27.2005 | .X±0.15   | .X*±   | APPD: | Jason   | MAT'L:   |       |       |        |     |
| C   |         | Willson | May.11.2005 | .XX±0.10  | .XX*±  | CHKD: | Schumi  | FINISH:  |       |       |        |     |
| REV | ECN NO. | NAME    | DATE        | .XXX±0.05 | .XXX*± | DRWN: | Willson | Q'TY:  | UNITS | SCALE | SHEET  | REV |
|     |         |         |             |           |        |       |         |  | MM    | 1 : 1 | 4 OF 5 | F   |



■ DIMENSION TABLE

| Circuits | Dimension |       |       |       |       | Circuits | Dimension |       |       |       |       | Circuits | Dimension |       |       |       |       |
|----------|-----------|-------|-------|-------|-------|----------|-----------|-------|-------|-------|-------|----------|-----------|-------|-------|-------|-------|
|          | A         | B     | C     | D     | E     |          | A         | B     | C     | D     | E     |          | A         | B     | C     | D     | E     |
| 3        | 1.00      | 2.10  | 6.10  | 8.10  | 7.40  | 23       | 11.00     | 12.10 | 16.10 | 18.10 | 17.40 | 43       | 21.00     | 22.10 | 26.10 | 28.10 | 27.40 |
| 4        | 1.50      | 2.60  | 6.60  | 8.60  | 7.90  | 24       | 11.50     | 12.60 | 16.60 | 18.60 | 17.90 | 44       | 21.50     | 22.60 | 26.60 | 28.60 | 27.90 |
| 5        | 2.00      | 3.10  | 7.10  | 9.10  | 8.40  | 25       | 12.00     | 13.10 | 17.10 | 19.10 | 18.40 | 45       | 22.00     | 23.10 | 27.10 | 29.10 | 28.40 |
| 6        | 2.50      | 3.60  | 7.60  | 9.60  | 8.90  | 26       | 12.50     | 13.60 | 17.60 | 19.60 | 18.90 | 46       | 22.50     | 23.60 | 27.60 | 29.60 | 28.90 |
| 7        | 3.00      | 4.10  | 8.10  | 10.10 | 9.40  | 27       | 13.00     | 14.10 | 18.10 | 20.10 | 19.40 | 47       | 23.00     | 24.10 | 28.10 | 30.10 | 29.40 |
| 8        | 3.50      | 4.60  | 8.60  | 10.60 | 9.90  | 28       | 13.50     | 14.60 | 18.60 | 20.60 | 19.90 | 48       | 23.50     | 24.60 | 28.60 | 30.60 | 29.90 |
| 9        | 4.00      | 5.10  | 9.10  | 11.10 | 10.40 | 29       | 14.00     | 15.10 | 19.10 | 21.10 | 20.40 | 49       | 24.00     | 25.10 | 29.10 | 31.10 | 30.40 |
| 10       | 4.50      | 5.60  | 9.60  | 11.60 | 10.90 | 30       | 14.50     | 15.60 | 19.60 | 21.60 | 20.90 | 50       | 24.50     | 25.60 | 29.60 | 31.60 | 30.90 |
| 11       | 5.00      | 6.10  | 10.10 | 12.10 | 11.40 | 31       | 15.00     | 16.10 | 20.10 | 22.10 | 21.40 | 51       | 25.00     | 26.10 | 30.10 | 32.10 | 31.40 |
| 12       | 5.50      | 6.60  | 10.60 | 12.60 | 11.90 | 32       | 15.50     | 16.60 | 20.60 | 22.60 | 21.90 | 52       | 25.50     | 26.60 | 30.60 | 32.60 | 31.90 |
| 13       | 6.00      | 7.10  | 11.10 | 13.10 | 12.40 | 33       | 16.00     | 17.10 | 21.10 | 23.10 | 22.40 | 53       | 26.00     | 27.10 | 31.10 | 33.10 | 32.40 |
| 14       | 6.50      | 7.60  | 11.60 | 13.60 | 12.90 | 34       | 16.50     | 17.60 | 21.60 | 23.60 | 22.90 | 54       | 26.50     | 27.60 | 31.60 | 33.60 | 32.90 |
| 15       | 7.00      | 8.10  | 12.10 | 14.10 | 13.40 | 35       | 17.00     | 18.10 | 22.10 | 24.10 | 23.40 | 55       | 27.00     | 28.10 | 32.10 | 34.10 | 33.40 |
| 16       | 7.50      | 8.60  | 12.60 | 14.60 | 13.90 | 36       | 17.50     | 18.60 | 22.60 | 24.60 | 23.90 | 56       | 27.50     | 28.60 | 32.60 | 34.60 | 33.90 |
| 17       | 8.00      | 9.10  | 13.10 | 15.10 | 14.40 | 37       | 18.00     | 19.10 | 23.10 | 25.10 | 24.40 | 57       | 28.00     | 29.10 | 33.10 | 35.10 | 34.40 |
| 18       | 8.50      | 9.60  | 13.60 | 15.60 | 14.90 | 38       | 18.50     | 19.60 | 23.60 | 25.60 | 24.90 | 58       | 28.50     | 29.60 | 33.60 | 35.60 | 34.90 |
| 19       | 9.00      | 10.10 | 14.10 | 16.10 | 15.40 | 39       | 19.00     | 20.10 | 24.10 | 26.10 | 25.40 | 59       | 29.00     | 30.10 | 34.10 | 36.10 | 35.40 |
| 20       | 9.50      | 10.60 | 14.60 | 16.60 | 15.90 | 40       | 19.50     | 20.60 | 24.60 | 26.60 | 25.90 | 60       | 29.50     | 30.60 | 34.60 | 36.60 | 35.90 |
| 21       | 10.00     | 11.10 | 15.10 | 17.10 | 16.40 | 41       | 20.00     | 21.10 | 25.10 | 27.10 | 26.40 | 61       | 30.00     | 31.10 | 35.10 | 37.10 | 36.40 |
| 22       | 10.50     | 11.60 | 15.60 | 17.60 | 16.90 | 42       | 20.50     | 21.60 | 25.60 | 27.60 | 26.90 |          |           |       |       |       |       |

|     |         |         |             |           |        |       |         |  |                |       |       |        |     |
|-----|---------|---------|-------------|-----------|--------|-------|---------|--|----------------|-------|-------|--------|-----|
|     |         |         |             | TOLERANCE |        |       |         | TITLE: FPC/FFC 0.5 PITCH CONNECTOR , ZIF SMT TYPE<br>BODY HIGH(WIDTH) 2.0 mm |                |       |       |        |     |
|     |         |         |             | LINEAR    | ANGLES |       |         | PART NO. FZ12X-XXX   |                |       |       |        |     |
|     |         |         |             | X.±0.20   | X'±    | APPD: | Jason   | MAT'L:   | DWG NO. FZ1207 |       |       |        |     |
| F   |         | Willson | May.08.2006 | .XX±0.10  | .XX'±  | CHKD: | Schumi  | FINISH:  |                | UNITS | SCALE | SHEET  | REV |
| REV | ECN NO. | NAME    | DATE        | .XXX±0.05 | .XXX'± | DRWN: | Willson | Q'TY:  |                | MM    | 1 : 1 | 5 OF 5 | F   |